

Thank you for choosing Whisky Parts Co. Whisky designs bicycle parts and accessories that deliver top-tier performance at every turn, so you can ride with confidence. Please take the time to register your product before hitting the trails.

**▲ WARNING:** Cycling can be dangerous. Bicycle products should be installed and serviced by a professional mechanic. Never modify your bicycle or accessories. Read and follow all product instructions and warnings including information on the manufacturer’s website. Inspect your bicycle before every use. Always wear a helmet.

## Compatibility & Intended Use

Additional Product and Safety Information can be found at the website: [whiskyparts.com/safety](http://whiskyparts.com/safety)

CONDITION	DESCRIPTION	MODEL COMPATIBILITY
	This is a set of conditions for the operation of a bicycle on a regular paved surface where the tires are intended to maintain ground contact.	No.5 CX No.7 RD
	This is a set of conditions for the operation of a bicycle that includes Condition 1 as well as unpaved and gravel roads and trails with moderate grades. In this set of conditions, contact with irregular terrain and loss of tire contact with the ground may occur. Drops are intended to be limited to 15cm (6") or less.	No.7 CX No.7 RD+ No.9 CX No.9 RD No.9 RD+
	This is a set of conditions for operation of a bicycle that includes Condition 1 and Condition 2 as well as rough trails, rough unpaved roads, and rough terrain and unimproved trails that require technical skills. Jumps and drops are intended to be less than 61cm (24").	No.7 MTN No.9 MTN No.9 MTN LT No.9 FAT No.9 MCX
	This is a set of conditions for operation of a bicycle that includes Conditions 1, 2, and 3, or downhill grades on rough trails at speeds less than 40km/h (25 mph), or both. Jumps are intended to be less than 122cm (48").	
	This is a set of conditions for operation of a bicycle that includes Conditions 1, 2, 3, and 4; extreme jumping; or downhill grades on rough trails at speeds in excess of 40km/h (25 mph); or a combination thereof.	

## Tools & Materials Required

- Crown race setting tool
- Ball peen hammer
- Protective gloves
- Hacksaw with a fine 32 tpi tungsten carbide steel blade for alloy/steel steerers or carbon cutting blade for carbon steerers
- Steerer tube cutting guide
- 4, 5, 6mm hex-bit sockets
- Torque wrench with Newton meter (Nm) scale
- Metal file
- Cutting fluid
- Grease
- Fine-tip felt marker
- Rubbing alcohol
- Protective eyewear
- Star-nut setting tool
- Fine grit sandpaper

## Fork Installation Overview

Installing a new fork is a three-step process:

- STEP 1) Check headset components for compatibility and assemble the fork into the headset so you can measure and mark the steerer tube cutting length.
- STEP 2) Remove the fork from the headset and cut the steerer tube to length.
- STEP 3) Reassemble the headset and fork, add handlebars, align and tighten.

**▲ WARNING:** Failure to follow these instructions may result in premature failure leading to a crash resulting in serious injury.

### STEP 1 Check, Assemble and Mark

- 1. Double Check Component Compatibility:** Check the fork, headset, headset spacers, stem steerer clamp and all other parts required for proper assembly to ensure they all have compatible dimensions. Incompatible dimensions can cause component failure.

Carbon steerers can only be fitted with a rear slot-style clamping stem.

**▲ WARNING:** Only use rear slot-style clamping stems on carbon steerers. Wedge-clamp stems must not be used and could result in failure (Fig. 1).

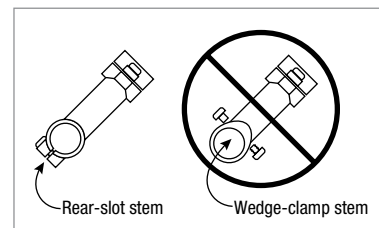


Figure 1

- 2. Remove Burrs and Sharp Edges:** Wearing protective gloves, examine the stem and headset parts for burrs and sharp edges that may contact the steerer tube. Remove burrs and sharp edges from carbon components with fine-grit sandpaper. Use a metal file on metal components.
- 3. Install the Crown Race:** Hold the fork with one hand and use a crown race setting tool and hammer/mallet to install the crown race onto the steerer tube, following the manufacturer’s instructions.

**▲ WARNING:** Do not place the fork on the dropout tips or support the fork in the crown area while installing the crown race. Doing so can damage the fork (Fig. 2).

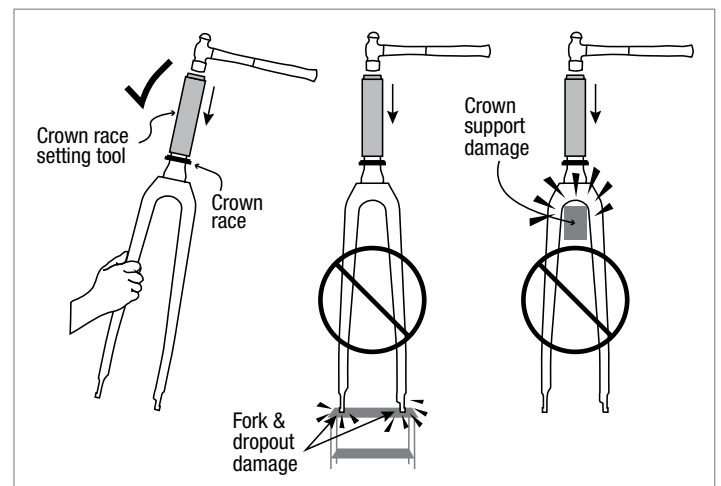


Figure 2

4. Install the headset cups in the headtube following the headset manufacturer's instructions.
5. Install the bottom assembly of the headset per manufacturer's instructions and insert the fork into the headtube. Install the upper headset by following the manufacturer's instructions (Fig. 3).

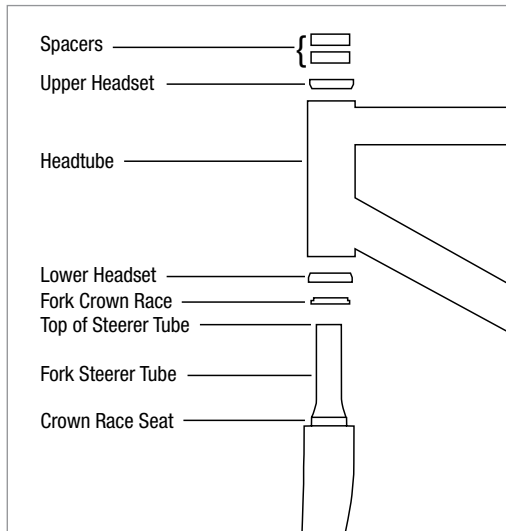


Figure 3

6. Add one or more spacers to steerer tube, ensuring the spacer stack does not exceed 50mm (Fig. 4).
7. Install the stem on the steerer ensuring that it is flush against the spacers. Ensure the steerer tube extends at least 8mm (Fig. 5).

**NOTE:** Do not continue installation if the steerer tube does not extend 8mm above the stem clamp.

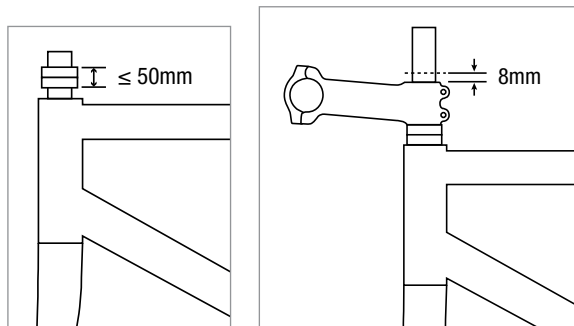


Figure 4

Figure 5

8. Add a 10mm spacer above the stem clamp and use a fine-tip felt marker to mark the steerer tube along the top edge of the spacer if there is extra steerer tube (Fig. 6).

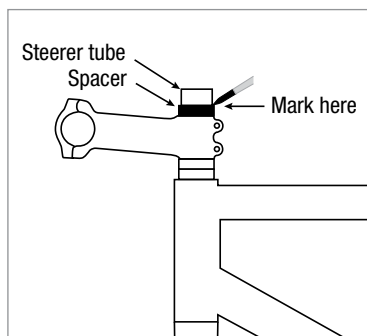


Figure 6

9. Remove the fork from the headtube and set aside the spacer(s) and headset components.
10. Locate the mark made in step 8. Measure down 3mm and make a new mark for cutting (Fig. 7). Erase the first mark.

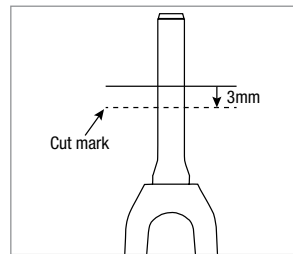


Figure 7

11. Double check measurements to make sure the steerer tube will not be cut too short. It's easier to measure twice than to buy a new fork.

**NOTE:** After cutting, the steerer tube must be 3mm below the 10mm spacer to allow top cap installation (Fig. 8). Refer to the two different directions below for cutting either carbon or alloy/steel.

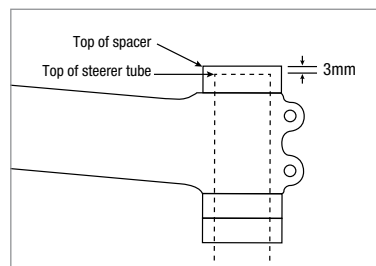


Figure 8

## STEP 2 Cut the Steerer Tube

### 1. Carbon Steerer Cutting Instructions

- A. Put on protective gloves and safety glasses.
- B. Using a new carbon cutting hacksaw blade and a cutting guide, cut the steerer tube.
- C. Remove burrs and sharp edges with fine-grit sandpaper.
- D. Clean the steerer tube and inside of the stem clamp with rubbing alcohol to remove grease and dirt.

### 2. Metal Steerer Cutting Instructions

- A. Put on protective gloves and safety glasses.
- B. Using a new fine-tooth hacksaw blade, vise, cutting fluid, and proper cutting guide, cut the steerer tube. A pipe-cutter may be used with aluminum steerer tubes.
- C. Remove burrs and sharp edges with a metal file.
- D. Clean the steerer tube and inside of the stem clamp with rubbing alcohol to remove grease and dirt.

## STEP 3 Final Assembly

1. Refer to the two different directions for installing the compression plug or star nut.

**▲ WARNING:** Never use a star nut with a carbon steerer tube fork (Fig. 9). Use a compression device designed for carbon steerers.

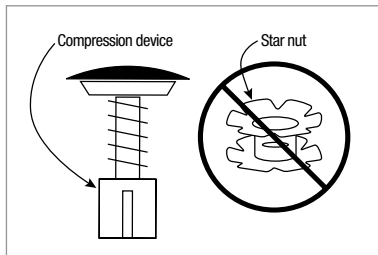


Figure 9

### Star Nut Installation

- A. Hold the fork with one hand (Fig. 2) and install a new star nut using a star nut setting tool and hammer (Fig. 10).

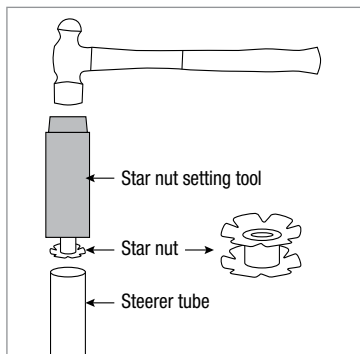


Figure 10

- B. Clean the steerer tube with rubbing alcohol.

### Compression Plug Installation

- A. Prepare compression plug according to the compression plug installation instructions.
  - B. Tighten the compression plug to the torque spec provided by the compression plug manufacturer.
2. Re-Install the fork, spacers, stem, and all headset components into the headtube (Fig 11).

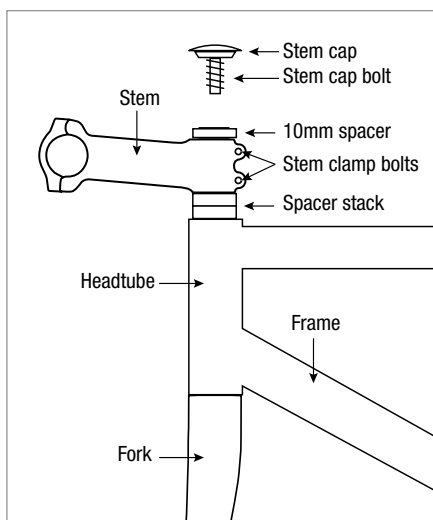


Figure 11

**NOTE:** Do not fully tighten the stem clamp bolts or stem cap bolt at this point.

- ▲ WARNING:** For carbon steerer tubes, do not apply grease or carbon assembly compound to the interface between the stem and the steerer tube.
3. Install the handlebar, following manufacturer's instructions.
  4. Install the wheel onto the fork and align it to obtain proper clearance between the tire, fork, and frame. Tighten the quick-release thru-axle or bolt-on hubs to specifications.
 

**▲ WARNING:** Maintain at least 6mm clearance between the tire, wheel, and any element of a fork, frame or other component. Improper clearance can allow objects to become entrapped and cause a crash resulting in serious injury.

**▲ WARNING:** Failure to properly adjust the quick release or thru-axle to secure the wheel can result in serious injury.
  5. Align the handlebar perpendicular to the front wheel. Tighten the stem cap bolt to manufacturer's specifications using a torque wrench and hex-bit socket. If torque specification are not provided tighten to 1.6Nm (15 in-lb).
  6. Tighten stem clamp bolts to manufacturer's specifications to complete the fork installation.
 

**▲ WARNING:** Never force a tightened stem to correct stem to fork misalignment. Always loosen the stem-to-steerer tube bolts first. Then make the adjustment and re-tighten the bolts to specifications.

**▲ WARNING:** Failure to properly install handlebar and stem can result in serious injury.
  7. Install and adjust the front brake following the brake manufacturer's instructions.
 

**▲ WARNING:** Failure to properly install and adjust brakes can result in serious injury.

## Routine Fork Inspection & Ongoing Maintenance

**▲ WARNING:** Every bicycle component has a finite life. Normal wear and tear, impact, careless use, and neglect of routine maintenance can cause an unexpected failure resulting in serious injury. Before each ride, examine your bicycle for signs of wear, stress, or impact-related damage. If a component doesn't operate properly or you detect scratches, cracks, bending, fraying, or discoloration, or notice creaking sounds, have your bicycle inspected immediately by your dealer.

**▲ WARNING:** Other than cutting the steerer tube to the proper length, do not modify the fork in any way.

Modifying the fork could cause fork or other component failure resulting in serious injury.

### How to Inspect a Carbon Component

Carbon components should appear glassy or shiny and have a "deep" appearance. Delaminated areas will appear cloudy or opaque.

Visually inspect your entire bike before every ride. Pay particular attention to carbon components like the fork and handlebar. Look for any cracks, breaks, chips, splinters or signs of delamination. If you detect any, do not ride your bicycle. If you are unsure about the condition of any component on your bicycle, consult your dealer. Do not ride a bicycle with a damaged component.

**▲ WARNING:** Any crack, chip, break, splinter, or delamination condition on a carbon component is serious. Do not ride any bicycle if you detect any of those conditions. A cracked or damaged component may fail suddenly, leading to a crash and serious injury.

## How to Detect Carbon Delamination:

**Perform a physical inspection:** Wipe along the carbon component with a rag, feeling for bulges, soft or deformed spots, or areas that are no longer smooth.

**Listen for creaking noises:** Damaged or deteriorating carbon components can make creaking noises as they move or are stressed. To locate the source of a noise, gently tap along the carbon component with a plastic screwdriver handle. Tapping should cause solid, sharp and consistent sounds. Locations that produce a dull or muffled sound should be marked and then inspected by a professional mechanic.

## Additional Inspections

Periodically inspect your bicycle components to make sure all bolts are properly torqued to the manufacturer's specifications.

## Cleaning

Clean with soap and water. Dry with a rag.

## Using Your New Fork with an Automotive Fork-Mount Style Bicycle Rack

1. Ensure the bicycle rack clamp is closed tightly to prevent damage to the dropout or loss of the bike.
2. To remove the bicycle, lift the fork straight up so the dropouts disengage evenly. Tilting the bicycle off the rack can damage the dropouts (Fig. 12).

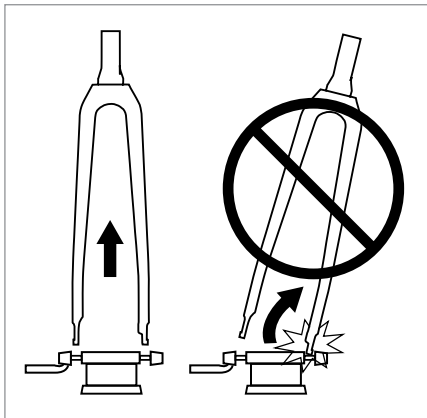


Figure 12

## Fender Installation

**▲ WARNING:** This fork is only compatible with quick release fenders. Consult fender manufacturer for specific compatibility. See separate Fender Installation instructions.

## Rack Installation

Ensure your fork is rack-compatible. See Figure 13 for approved rack mounting locations on the fork. Follow the rack manufacturer's instructions for installation. Be sure to use all hardware that came with the rack for installation.

**▲ WARNING:** Do not mount racks to any other fork mounts than the those pictured in Figure 13. Failure to properly install a rack can lead to a crash and cause serious injury.

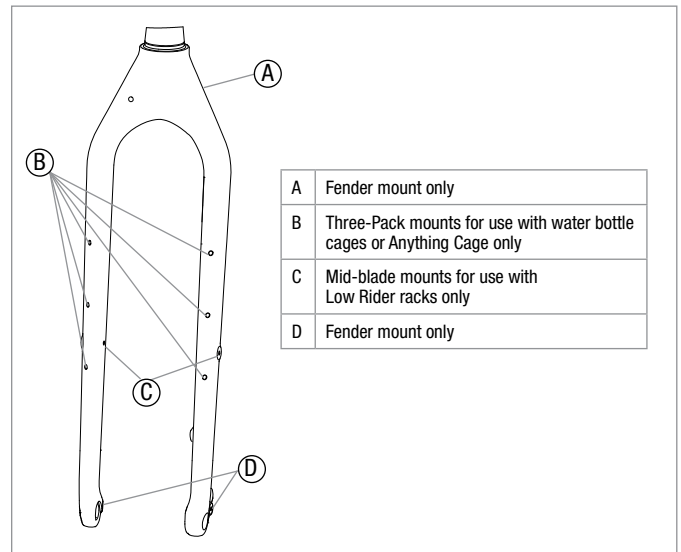


Figure 13

## Install Accessories with Three-Pack Mounts

Forks equipped with Three-Pack mounts can be used with accessories like the Anything Cage or water bottle cages (Fig. 14). Follow the installation instructions and weight limits provided with any accessories. For accessory instructions go to: [whiskyparts.com/safety](http://whiskyparts.com/safety).

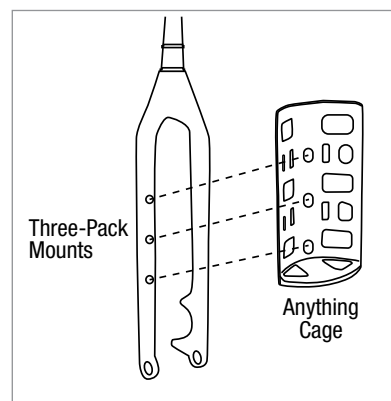


Figure 14

**▲ WARNING:** Do not exceed the load capacity of 3kg or 6.6 lb for the Three-Pack mounts.

## Light Mounting & Cable Routing

Go to [whiskyparts.com](http://whiskyparts.com) to verify your fork is light mount and dynamo mount-capable. Then follow the manufacturer's instructions for proper installation.

If possible, route cables through the internal tube to prevent them from contacting the wheel. Use the hardware included with the light to mount the unit to the fork. Tighten to the manufacturer's torque specifications to prevent the light from moving or rotating into the wheel.

**▲ WARNING:** 6mm clearance required between the front wheel and any accessory mounted to the fork.



## Whisky Parts Co. Limited Warranty

This product is warranted against defects in materials and workmanship for 5 years from the date of retail purchase of the product, subject to the limitations detailed below. Save your dated receipt for proof of purchase.

This warranty does NOT cover the following:

- Damage due to improper assembly or follow-up maintenance or lack of skill, competence or experience of the user or assembler
- Products that have been modified, neglected, used in competition or for commercial purposes, misused or abused, involved in accidents or anything other than normal use
- Installation of components, parts or accessories not originally intended for or compatible with product as sold
- Damage or deterioration to the paint, surface finish, aesthetics or appearance of the product
- Normal wear and tear
- Labor required to remove and/or refit and re-adjust the product within the bicycle assembly

This limited warranty is expressly limited to the repair or replacement of the original product, at the option of Whisky, and is the sole remedy of the warranty. This limited warranty applies only to the original purchaser of the Whisky product and is not transferable. This warranty applies only to products purchased through an authorized dealer or distributor. In no event shall Whisky be liable for any loss, inconvenience or damage, whether direct, incidental, consequential, or otherwise resulting from breach of any express or implied warranty or condition, of merchantability, fitness for a particular purpose, or otherwise with respect to Whisky products except as set forth herein.

This warranty gives the consumer specific legal rights, and those rights and other rights may vary from place to place. This warranty does not affect your statutory rights.

TO THE EXTENT NOT PROHIBITED BY LAW, THESE WARRANTIES ARE EXCLUSIVE AND THERE ARE NO OTHER EXPRESS OR IMPLIED WARRANTIES OR CONDITIONS INCLUDING WARRANTIES OR CONDITIONS OF MERCHANTABILITY AND FITNESS FOR A PARTICULAR PURPOSE.

Warranty Registration: Proof of purchase is required before a warranty claim is processed. Whisky therefore strongly encourages warranty registration at [whiskyparts.com](http://whiskyparts.com). Failure to register will not affect consumer rights under the limited warranty stated above, so long as the consumer can show in a reasonable manner proof of original ownership and the date the Whisky product was purchased. If you have any questions contact [warranty@whiskyparts.com](mailto:warranty@whiskyparts.com)

Submitting a Claim can be made anywhere Whisky products are sold. When in doubt, contact your local shop. Please provide details about what happened including but not limited to other components used in conjunction with the alleged defective Whisky part.

**NOTE:** The term of the Warranty is not a guarantee of the product's useful life. Product life is influenced by how the product is used, stored, and maintained over time. The Warranty is not meant to suggest the product cannot be broken or that the product will last forever. The Warranty only means the product is covered subject to the terms of the Warranty.

Produkthinweise finden Sie auf der Website: [whiskyparts.com/safety](http://whiskyparts.com/safety).

Las instrucciones del producto pueden encontrarse en el sitio web: [whiskyparts.com/safety](http://whiskyparts.com/safety).

Le mode d'emploi est disponible sur le site Web : [whiskyparts.com/safety](http://whiskyparts.com/safety).

Le istruzioni sul prodotto si trovano sul sito: [whiskyparts.com/safety](http://whiskyparts.com/safety).

製品取扱説明書はウェブサイトにあります: [whiskyparts.com/safety](http://whiskyparts.com/safety)

Vielen Dank, dass Sie sich für Whisky Parts Co. entschieden haben. Whisky entwirft Fahrradteile und Zubehör, die bei jeder Nutzung Höchstleistungen bringen, damit Sie mit Zuversicht fahren können. Nehmen Sie sich, bevor Sie losfahren, bitte ein paar Minuten Zeit, Ihr Produkt zu registrieren.

**▲ WARNUNG: FAHRRADFAHREN KANN GEFÄHRLICH SEIN.** Fahrradzubehör darf nur von speziell geschulten, erfahrenen Fachkräften installiert und gewartet werden. Nehmen sie keine Änderungen am Fahrrad oder Fahrradzubehör vor. Berücksichtigen sie alle Produkt- und Warnhinweise, einschließlich der auf der Website des Herstellers bereitgestellten Informationen. Kontrollieren sie das Fahrrad vor jeder Fahrt. Tragen sie immer einen Helm.

## Kompatibilität u. bestimmungsgemäße Verwendung

Zusätzliche Produkt- und Sicherheitshinweise finden Sie auf: [whiskyparts.com/safety](http://whiskyparts.com/safety)

BEDINGUNGEN	BESCHREIBUNG	MODELLKOMPATIBILITÄT
	Dies ist eine Reihe von Einsatzbedingungen für den Betrieb eines Fahrrads auf einer regelmäßig gepflasterten Straßenoberfläche, auf der die Reifen nicht den Bodenkontakt verlieren.	No.5 CX No.7 RD
	Dies ist eine Reihe von Einsatzbedingungen für den Betrieb eines Fahrrads die Einsatzbedingung 1 ebenso enthalten wie unbefestigte Straßen und Schotterstraßen und Trails mit moderaten Steigungen. In dieser Reihe von Einsatzbedingungen, kann es zu Kontakt mit unregelmäßigem Gelände und Verlust des Bodenkontakts kommen. Fallhöhen sollten nicht mehr als 15 cm (6 Zoll) betragen.	No.7 CX No.7 RD+ No.9 CX No.9 RD No.9 RD+
	Dies ist eine Reihe von Einsatzbedingungen für den Betrieb eines Fahrrads die Einsatzbedingung 1 und Einsatzbedingung 2 ebenso enthalten wie grobe Trails, grobe unbefestigte Straßen und schwieriges Gelände sowie nicht ausgebaute Trails die technische Fähigkeiten erfordern. Sprünge müssen unter 61 cm (24 Zoll) gehalten werden.	No.7 MTN No.9 MTN No.9 MTN LT No.9 FAT No.9 MCX
	Dies ist eine Reihe von Einsatzbedingungen für den Betrieb eines Fahrrads die Einsatzbedingung 1, 2 und 3 oder Talfahrten auf groben Trails bei Geschwindigkeiten von weniger als 40 km/h (25 mph) oder beides enthalten. Sprünge müssen unter 122 cm (48 Zoll) gehalten werden.	
	Dies ist eine Reihe von Einsatzbedingungen für den Betrieb eines Fahrrads die Einsatzbedingung 1, 2, 3 und 4; extremes Springen; oder Talfahrten auf groben Trails mit Geschwindigkeiten von mehr als 40km/h (25 mph) oder eine Kombination davon enthalten.	

## Erforderliche Werkzeuge und Materialien

- Gabelkonus-Setzwerkzeug
- Kugelhammer
- Schutzhandschuhe
- Bügelsäge mit einem feinen 32 tpi Wolframkarbidstahlsägeblatt für Aluminium-/Stahllenker oder Carbonsägeblatt für Carbonlenker
- Gabelschaft Schnittführung
- 4, 5, 6-mm Innensechskant-Steckschlüsseleinsätze
- Drehmomentschlüssel mit Newtonmeter (Nm) Skala
- Metallfeile
- Schneidflüssigkeit
- Schmierfett
- Filzstift mit feiner Spitze
- Reinigungsalkohol
- Schutzbrille
- Setzwerkzeug für Krallen (Sternmutter)
- Feinkörniges Sandpapier

## Übersicht Gabelinstallation

Die Installation einer neuen Gabel ist ein Drei-Stufen-Prozess:

**SCHRITT 1)** Überprüfen Sie die Kompatibilität der Lenkkopflagerbauteile und stecken Sie die Gabel in die Lenkkopflager, damit Sie die abzuschneidende Gabelschaftslänge messen und markieren können.

**SCHRITT 2)** Nehmen Sie die Gabel aus dem Lenkkopflager und schneiden Sie den Gabelschaft auf die gewünschte Länge.

**SCHRITT 3)** Lenkkopflager und Gabel wieder zusammenbauen, Lenkstange hinzufügen, ausrichten und festziehen.

**▲ WARNUNG:** Nichtbeachtung dieser Anweisungen kann zu vorzeitigem Ausfall mit der Folge eines Unfalls mit schweren Verletzungen führen.

### SCHRITT 1 Überprüfen, Zusammenbauen und Markieren

1. **Kontrollieren Sie die Bauteilkompatibilität noch einmal:** Überprüfen Sie den sachgemäßen Zusammenbau von Gabel, Lenkkopflager, Lenkkopflager-Distanzstücken, Vorbaulenkerklemme und allen anderen erforderlichen Teilen, um sicherzustellen, dass alle Abmessungen kompatibel sind. Inkompatible Abmessungen können den Ausfall von Bauteilen verursachen. Carbonlenker können nur mit einer Vorbauklemmaufnahme mit hinterem Schlitz eingesetzt werden.

**▲ WARNUNG:** Verwenden Sie Vorbauklemmaufnahmen mit hinterem Schlitz ausschließlich für Carbonlenker. Mit Keilen geklemmte Vorbauten dürfen nicht benutzt werden und könnten einen Bruch verursachen (Abbildung 1).

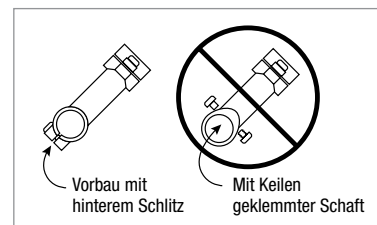


Abbildung 1

2. **Entfernen von Graten und scharfen Kanten:** Tragen Sie Schutzhandschuhe, überprüfen Sie den Vorbau und Lenkkopfteile auf Grate und scharfe Kanten, die den Gabelschaft berühren können. Entfernen Sie Grate und scharfe Kanten von Carbonbauteilen mit feinkörnigem Sandpapier. Verwenden Sie eine Metallfeile für Metallbauteile.

3. **Gabelkonusinstallation:** Gabel mit einer Hand halten und mithilfe eines Gabelkonus-Setzwerkzeugs und einem Hammer/Gummihammer den Gabelkonus gemäß den Herstelleranweisungen in den Gabelschafteinsetzen.

**▲ WARNUNG:** Stellen Sie die Gabel nicht auf die Ausfallenden und halten Sie die Gabel nicht am Konusssitz, wenn Sie den Konus installieren. Dadurch kann die Gabel beschädigt werden (Abbildung 2).

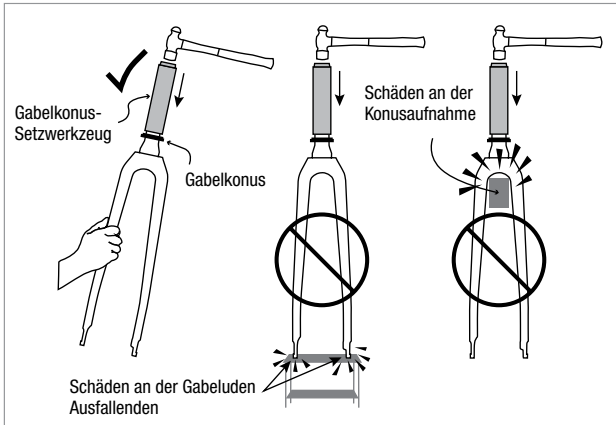


Abbildung 2

4. Installieren Sie die Lenkkopfschalen im Gabelschafteingangsöffnung, folgen Sie den Anweisungen des Lenkkopfherstellers.
5. Installieren Sie das Lenkkopfunterteil gemäß den Anweisungen des Herstellers und stecken die Gabel in den Gabelschafteingangsöffnung. Installieren Sie das Lenkkopfoberteil gemäß den Anweisungen des Herstellers (Abbildung 3).

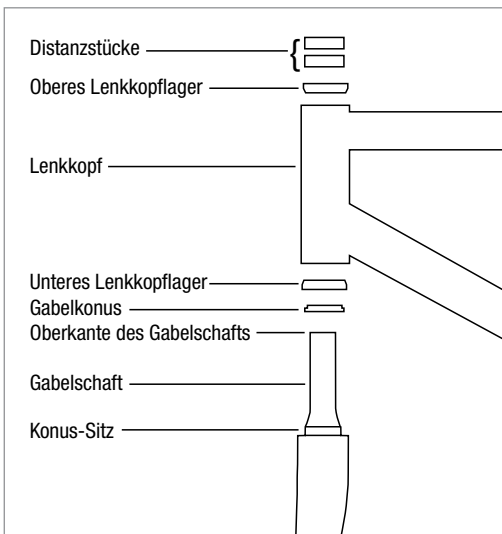


Abbildung 3

6. Fügen Sie dem Gabelschafteingangsöffnung ein oder mehrere Distanzstücke zu, achten Sie darauf, dass der Distanzstückstapel 50 mm nicht überschreitet (Abbildung 4).

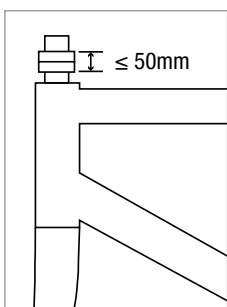


Abbildung 4

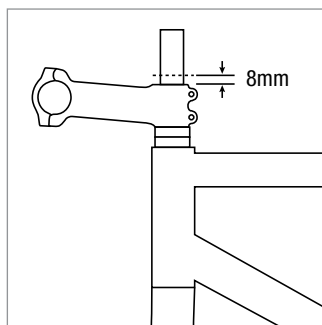


Abbildung 5

7. Montieren Sie den Vorbau auf den Lenker, stellen Sie dabei sicher, dass der Vorbau bündig auf den Distanzstücken aufliegt. Stellen Sie sicher, dass der Gabelschafteingangsöffnung mindestens 8 mm übersteht (Abbildung 5).

**HINWEIS:** Fahren Sie nicht mit der Montage fort, wenn der Gabelschafteingangsöffnung weniger als 8 mm über der Vorbaufixierung abschließt

8. Fügen Sie ein 10 mm Distanzstück über der Vorbaufixierung hinzu und verwenden Sie einen Filzstift mit feiner Tinte, um den Gabelschafteingangsöffnung entlang der Oberkante des Distanzstück zu markieren, falls Gabelschafteingangsöffnung übersteht (Abbildung 6).

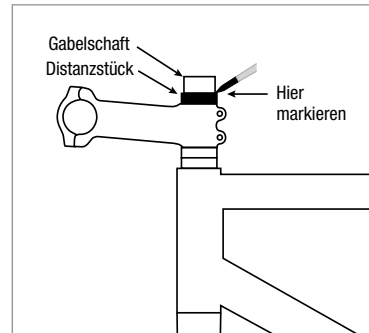


Abbildung 6

9. Nehmen Sie die Gabel aus dem Gabelschafteingangsöffnung und legen die Distanzstücke und Lenkkopfkomponenten beiseite.
10. Finden Sie die Markierung in Schritt 8. Messen Sie 3 mm nach unten und markieren Sie die neue Schnittstelle (Abbildung 7). Wischen Sie die erste Markierung weg.



Abbildung 7

11. Kontrollieren Sie die Abmessungen noch einmal, um sicherzustellen, dass der Gabelschafteingangsöffnung nicht zu kurz abgeschnitten wird. Es ist einfacher zweimal nachzumessen, als eine neue Gabel zu kaufen.

**HINWEIS:** Nachdem Abschneiden muss der Gabelschafteingangsöffnung sich 3 mm unterhalb des 10 mm Distanzstücks befinden, um die Montage der Abschlusskappe zu ermöglichen (Abbildung 8). Beziehen Sie sich auf die nachstehenden zwei unterschiedlichen Anweisungen für das Schneiden von Carbon oder Leichtmetall/Stahl.

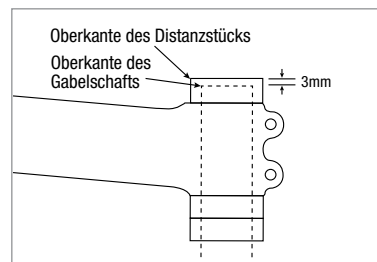


Abbildung 8

## SCHRITT 2 Zuschneiden des Gabelschaft

1. Anweisungen zum Abschneiden des Carbonlenkers
  - A. Tragen Sie Handschuhe und eine Schutzbrille.
  - B. Schneiden Sie den Gabelschaft mithilfe eines neuen Carbonsägeblatts und einer Schnitfführung.
  - C. Entfernen Sie Grate und scharfe Kanten mit feingekörntem Sandpapier.
  - D. Reinigen Sie den Gabelschaft und die Innenseite der Vorbaufixierung mit Reinigungsalkohol, um Schmierfette und vSchmutz zu entfernen.
2. Anweisungen zum Abschneiden des Metalllenkers
  - A. Tragen Sie Handschuhe und eine Schutzbrille.
  - B. Schneiden Sie den Gabelschaft mithilfe eines neuen feingekörnten Metallsägeblatts, einem Schraubstock, Schneidflüssigkeit und einer passenden Schnitfführung. Ein Rohrschneider kann mit Entfernen Sie Grate und scharfe Kanten mit einer Metallfeile.
  - C. Reinigen Sie den Gabelschaft und die Innenseite der Vorbaufixierung mit Reinigungsalkohol, um Schmierfette und Schmutz zu entfernen.

## SCHRITT 3 Endmontage

1. Beziehen Sie sich auf die zwei unterschiedlichen Anweisungen für das Installieren der Gabel-„Kralle“ oder Sternmutter.

**▲ WARNUNG:** Eine Sternmutter nie mit einer Gabel mit Carbon-Gabelschaft verwenden (Abbildung 9). Verwenden Sie eine auf Karbonlenker ausgelegte Kompressionsvorrichtung.

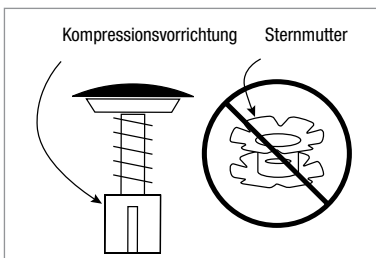


Abbildung 9

### Sternmutterinstallation

- A. Halten Sie die Gabel mit eine Hand (Abbildung 2) und installieren Sie mithilfe eines Sternmutter-Setzwerkzeugs und eines Hammers eine neue Sternmutter (Abbildung 10).

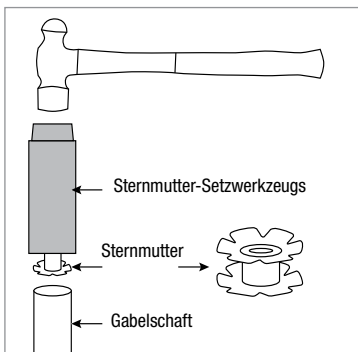


Abbildung 10

- B. Säubern Sie den Gabelschaft mit Reinigungsalkohol

### Installation der Gabel-„Kralle“

- A. Bereiten Sie die Gabel-„Kralle“ den Gabel-„Krallen“-Installationsanweisungen entsprechend vor.
- B. Ziehen Sie die Gabel-„Kralle“ mit dem vom Hersteller vorgegebenen Anzugsmoment fest.

2. Installieren Sie Gabel, Distanzstücke, Vorbau und alle Lenkkopflagerbauteile im Steuerrohr (Abbildung 11).

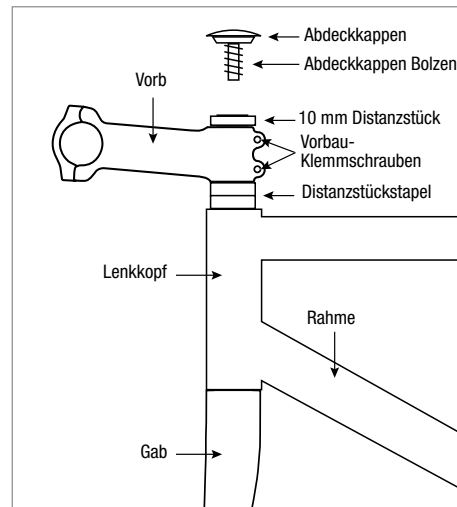


Abbildung 11

**HINWEIS:** Ziehen Sie die Vorbau-Klemmschrauben oder den Abdeckkappenbolzen zu diesem Zeitpunkt noch nicht fest.

**▲ WARNUNG:** Tragen Sie auf Carbon-Gabelschaften keine Schmierfette auf oder Carbon-Montagepaste auf die Verbindung zwischen Vorbau und Gabelschaft.

3. Montieren Sie den Lenker gemäß den Herstelleranweisungen.
4. Das Rad in die Gabel einsetzen und ausrichten, um angemessenen Freiraum zwischen Reifen, Gabel und Rahmen sicherzustellen. Ziehen Sie die Steckachse mit Schnellspanner oder Anschraubnaben gemäß den Vorgaben des Herstellers fest.

**▲ WARNUNG:** Bewahren Sie mindestens 6 mm Freiraum zwischen Reifen, Rad, und jedem Teil der Gabel, des Rahmens oder anderer Komponenten. Bei ungenügender Freiraum können sich Fremdkörper verfangen und einen Unfall mit schweren Verletzungen verursachen.

**▲ WARNUNG:** Fehler bei der Einstellung der Schnellspanner oder Steckachse zur Radbefestigung kann zu schweren Verletzungen führen.

5. Richten Sie den Lenker rechtwinkelig zum Vorderrad aus. Ziehen Sie den Abdeckkappenbolzen gemäß den Herstellervorgaben mit einem Drehmomentschlüssel mit Innensechskant-Steckschlüsseleinsatz fest. Wenn keine Drehmomentvorgaben zur Verfügung stehen ziehen Sie mit einem Anzugmoment von 1,6 Nm (15 in-lb) fest.

6. Ziehen Sie die Vorbau-Klemmschrauben gemäß den Herstellervorgaben fest, um die Gabelinstallation abzuschließen.

**▲ WARNUNG:** Versuchen Sie nie, einen Fluchtungsfehler von Vorbau und Gabel bei festgezogenem Vorbau mit Gewalt zu korrigieren. Lösen Sie die den Vorbau mit dem Gabelschaft verbindenden Schrauben zuerst. Dann nehmen Sie Anpassungen vor und ziehen die Bolzen noch einmal gemäß den Herstellervorgaben fest.

**▲ WARNUNG:** Fehler bei der Installation des Lenkers und Vorbaus können zu schweren Verletzungen führen.

7. Montage und Einstellung der Vorderbremse, gemäß den Anweisungen des Herstellers.

**▲ WARNUNG:** Fehler bei der Installation und Einstellung der Bremsen können zu schweren Verletzungen führen.



## Routinemäßige Kontrolle der Gabel u. laufende Instandhaltung

**▲ WARNUNG:** Jedes Bauteil eines Fahrrads hat eine begrenzte Lebensdauer. Normale Abnutzung, Schlägeinwirkung, unvorsichtiger Gebrauch und unterlassene routinemäßige Wartung kann einen unerwarteten Bruch mit der Folge schwerer Verletzungen verursachen. Überprüfen Sie Ihr Fahrrad vor jeder Fahrt auf Anzeichen von Verschleiß, durch Fehlbelastung entstandene Schäden oder Aufschlagschäden. Wenn ein Bauteil nicht einwandfrei funktioniert oder Sie Schrammen, Brüche, Verbiegungen, Ausfransungen, oder Verfärbungen erkennen oder Quietschgeräusche wahrnehmen, lassen Sie Ihr Fahrrad sofort von einem Händler kontrollieren.

**▲ WARNUNG:** Abgesehen vom Zurechtschneiden des Gabelschafts auf die richtige Länge, dürfen Sie die Gabel in keiner Weise modifizieren.

Modifizieren der Gabel kann zu einem Bruch der Gabel oder anderer Bauteile mit der Folge schwerer Verletzungen führen.

### Wie ein Carbonbauteil geprüft wird

Carbonbauteile sollten gläsern oder scheinend erscheinen und über ein „tiefes“ Erscheinungsbild verfügen. Delaminierte Bereiche erscheinen wolkig oder undurchsichtig.

Unterziehen Sie Ihr gesamtes Rad vor jeder Fahrt einer Sichtprüfung. Schenken Sie den Carbonbauteilen wie Gabel und Lenker besondere Aufmerksamkeit. Achten Sie auf Risse, Brüche, Späne, Splitter oder Anzeichen von Delamination. Fahren Sie niemals mit Ihrem Rad, wenn Sie einen dieser Schäden entdecken. Wenn Sie sich über den Zustand einzelner Bauteile Ihres Rads nicht sicher sind, wenden Sie sich an Ihren Fachhändler. Fahren Sie nicht mit einem Fahrrad mit einem beschädigten Bauteil.

**▲ WARNUNG:** Risse, Brüche, Späne, Splitter oder Delamination an einem Carbonbauteil sind gravierend. Benutzen Sie Ihr Fahrrad nicht, wenn Sie einen dieser Schäden entdecken. Ein gesprungenes oder anderweitig beschädigtes Carbonbauteil kann unvermittelt ausfallen, mit den Folgen eines Unfalls und schweren Verletzungen.

### Wie Sie Carbondelamination erkennen:

Führen Sie eine physische Überprüfung durch: Wischen Sie mit einem Tuch entlang dem Carbonbauteil, fühlen Sie nach Beulen, weichen oder verformten Stellen oder Bereichen, die nicht länger glatt sind.

Achten Sie auf Quietschgeräusche: Beschädigte oder nachlassende Carbonbauteile können bei Bewegung oder Beanspruchung Quietschgeräusche erzeugen. Um die Geräuschquelle zu finden, klopfen Sie das Carbonbauteil vorsichtig mit einem Schraubenziehergriff aus Kunststoff ab. Klopfen sollte beständige, scharfe und konsistente Geräusche erzeugen.

Markieren Sie Stellen, die einen stumpfen oder gedämpften Ton produzieren und lassen Sie das Bauteil von einer geschulten Fachkraft kontrollieren.

### Weitere Überprüfungen

Überprüfen Sie die Bauteile Ihres Fahrrads regelmäßig, um sicherzustellen das alle Bolzen korrekt mit dem vom Hersteller vorgegeben Anzugsmoment festgezogen sind.

### Reinigen

Mit Seife und Wasser reinigen. Mit einem Tuch trocknen.

## Benutzung eines Fahrzeug-Gabelhalter-Fahrradträgers mit Ihrer neuen Gabel.

1. Vergewissern Sie sich, dass die Fahrradträgerklemme fest geschlossen ist, um Schäden an den Ausfallenden oder Verlust des Fahrrads zu vermeiden.
2. Um das Fahrrad herauszunehmen, heben Sie die Gabel gerade nach oben, damit die Ausfallenden sich gleichmäßig lösen. Wenn Sie das Fahrrad beim Herausnehmen aus dem Träger verkannten, können die Ausfallenden beschädigt werden (Abbildung 12).

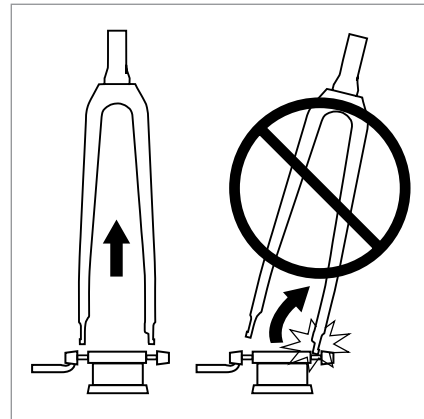


Abbildung 12

## Schutzblechmontage

**▲ WARNUNG:** Diese Gabel ist ausschließlich mit Schnellentriegelungsschutzblechen kompatibel. Wenden Sie sich an den Schutzblechhersteller für spezifische Kompatibilitätsangaben. Siehe separate Schutzblechinstallationsanleitung. **Trägermontage**

Stellen Sie sicher, dass Ihre Gabel trägerkompatibel ist. Siehe Abbildung 13 für zugelassene Befestigungsstellen an der Gabel. Folgen Sie den Installationsanweisungen des Trägerherstellers. Achten Sie darauf, dass gesamte mit dem Träger gelieferte Befestigungsmaterial zu verwenden.

**▲ WARNUNG:** Montieren Sie den Träger nicht an andere Gabelaufnahmen, als die in Abbildung 13 gezeigten. Fehler bei der Trägerinstallation können einen Unfall und schwere Verletzungen zur Folge haben.

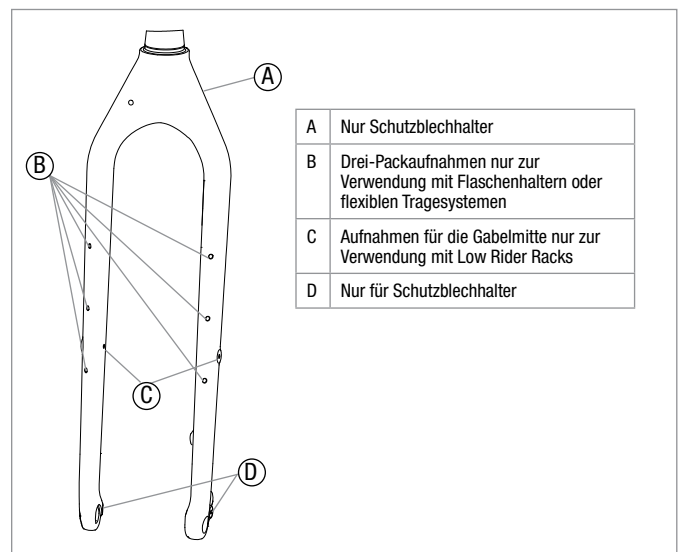


Abbildung 13

## Installationszubehör mit 3-Packaufnahmen

Mit 3-Packaufnahmen ausgestattete Gabeln können mit Zubehör wie Flaschenhaltern oder flexiblen Tragesystemen verwendet werden (Abbildung 14). Folgen Sie den Installationsanweisungen und beachten Sie die für die jeweiligen Zubehörteile angegebenen Gewichtsbeschränkungen. Zubehörteile betreffende Anweisungen finden Sie unter: [whiskyparts.com/](http://whiskyparts.com/)

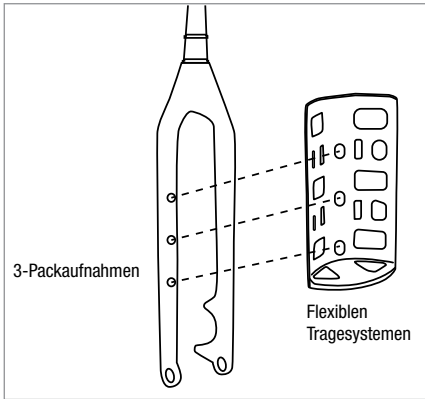


Abbildung 14

safety.

**▲ WARNUNG:** Überschreiten Sie nicht die Tragfähigkeit von 3kg oder 6,6 lb für die 3-Packaufnahmen.

## Scheinwerferhalterung u. Kabelführung

Gehen Sie zu [whiskyparts.com](http://whiskyparts.com), um zu überprüfen ob Ihre Gabel für Scheinwerferhalterung und Dynamobefestigung ausgelegt ist. Dann folgen Sie den Installationsanweisungen des Herstellers.

Wenn möglich, führen Sie die Kabel durch den Rahmen, umeine Berührung mit dem Rad zu vermeiden. Verwenden Sie das dem Scheinwerfer beigelegte Befestigungsmaterial, um die Einheit an der Gabel zu befestigen. Ziehen Sie die Scheinwerferhalterung auf das vom Hersteller vorgeschriebene Anzugsmoment an, um ein Wandern des Scheinwerfers in das drehende Rad zu vermeiden.

**▲ WARNUNG:** Ein Freiraum von 6 mm ist zwischen dem Vorderrad und jedwedem an der Gabel befestigtem Zubehör erforderlich.

## Whisky Parts Co. Beschränkte Garantie

Für dieses Produkt besteht eine Garantie bei Material- und Ausführungsfehlern von 5 Jahren ab Kaufdatum, die den unten aufgeführten Einschränkungen unterliegt. Bewahren Sie Ihren datierten Kaufbeleg auf

In folgenden Fällen gilt diese Garantie nicht:

- Schäden infolge unsachgemäße Montage oder mangelhafter oder nicht ordnungsgemäßer Wartung oder Mangel an Erfahrung, Fähigkeit, Fachkompetenz des Benutzers oder Monteurs.
- Modifizierte oder vernachlässigte Produkte, Produkte die unter Wettbewerbsbedingungen oder für gewerbliche Zwecke verwendet wurden, die falsch oder missbräuchlich benutzt wurden oder an Unfällen beteiligt waren oder zweckentfremdet genutzt wurden.
- Montage von Komponenten, Ersatzteilen oder Zubehörteilen, die nicht für die Verwendung mit dem Produkt bei Verkauf bestimmt sind oder mit diesem nicht kompatibel sind.
- Beeinträchtigungen oder Beschädigungen der Lackierung, Oberflächenbeschaffenheit oder der ästhetischen Erscheinung des Produkts.
- Normale Abnutzung

- Die erforderlichen Arbeitskosten für Ausbau und/oder neu Ausrüsten und Einstellen des Produkts als Teil der Fahrradmontage.

Diese beschränkte Garantie ist ausdrücklich beschränkt auf Reparatur oder Ersatz des Originalprodukts, wobei die Entscheidung bei Whisky liegt und ist der einzige Rechtsbehelf gemäß dieser Garantie. Diese beschränkte Garantie besteht ausschließlich gegenüber dem Erstkäufer des Whisky produkts und ist nicht übertragbar. Diese Garantie bezieht sich nur auf Produkte, die durch einen autorisierten Händler oder Lieferanten verkauft wurden. In keinem Fall haftet Whisky für Verluste, Unannehmlichkeiten oder Schäden, ganz gleich, ob direkt, zufällig oder als Folgeschaden oder anderweitig, die aus dem Bruch von ausdrücklichen oder stillschweigenden Garantien oder Bedingungen, bzgl. der Handelsfähigkeit, der Eignung für bestimmte Zwecke oder anderweitig in Zusammenhang mit den Whisky produkten hervorgehen sofern hier nicht anders festgelegt.

Diese Garantie verleiht dem Verbraucher spezifische Rechte, und der Verbraucher kann ferner weitere Rechte haben, die sich je nach Staat unterscheiden können. Diese Garantie hat keinen Einfluss auf Ihre (gesetzlichen) Rechte.

AUSSER SOWEIT GESETZLICH UNTERSAGT, HANDELT ES SICH BEI DIESER GARANTIE UM EINE AUSSCHLIESSLICHE GARANTIE ANSTELLE ALLER ANDEREN AUSDRÜCKLICHEN UND STILLSCHWEIGENDEN GARANTIEN ODER BEDINGUNGEN JEGLICHER ART, EINSCHLIESSLICH GARANTIEN ODER BEDINGUNGEN DER VERMARKTBARKEIT UND DER EIGNUNG FÜR EINEN BESTIMMTEN ZWECK.

Garantieregistrierung: Damit ein Garantieanspruch bearbeitet werden kann, muss der Originalkaufbeleg des Produkts vorliegen. Whisky fordert daher nachdrücklich zur Garantieregistrierung auf [Brand.com](http://Brand.com) auf. Eine Nichtregistrierung beeinflusst die Verbraucherrechte unter der oben genannten eingeschränkten Garantie nicht, solange der Verbraucher in angemessener Weise einen Originalkaufbeleg und den Zeitpunkt des Erwerbs des Whisky produkts vorweisen kann. Wenn Sie Fragen haben, schreiben Sie uns an [warranty@whiskyparts.com](mailto:warranty@whiskyparts.com)

Ein Garantieanspruch kann überall dort eingereicht werden, wo Whisky produkte vertrieben werden. Wenden Sie sich im Zweifelsfall an Ihr lokales Geschäft. Bitte machen Sie nähere Angaben über die Geschehnisse, einschließlich, aber nicht beschränkt auf andere in Verbindung mit dem angeblich mangelhaften Whisky teil verwendete Komponenten.

**HINWEIS:** Die Garantiedauer ist keine Garantie der Produktnutzungsdauer. Die Produktnutzungsdauer wird von der Verwendung, Lagerung und Wartung im Zeitablauf beeinflusst. Die Garantie bedeutet nicht, dass das Produkt nie kaputt gehen wird oder für immer hält. Die Garantie bedeutet nur, dass das Produkt zu den Konditionen der Garantie abgesichert ist.

Gracias por elegir Whisky Parts Co. Whisky diseña piezas y accesorios para bicicleta que ofrecen un rendimiento de primer nivel en cada paseo, para que pueda viajar con confianza. Por favor, tómese el tiempo para registrar su producto antes de ponerse en marcha.

**▲ ADVERTENCIA:** el ciclismo puede ser peligroso. Un mecánico profesional debe instalar y revisar los productos para bicicletas. Nunca modifique su bicicleta ni los accesorios. Lea y siga todas las instrucciones y advertencias, incluso la información del sitio web del fabricante. Revise la bicicleta antes de cada uso. Siempre use casco.

Puede encontrar más información sobre el producto y su seguridad en el sitio web: [whiskyparts.com/safety](http://whiskyparts.com/safety)

## Compatibilidad y uso esperado

CONDICIONES	DESCRIPCION	COMPATIBILIDAD DEL MODELO
	Este es un conjunto de condiciones para el uso de una bicicleta sobre una superficie regular pavimentada, y en el cual los neumáticos están diseñados para mantener el contacto con el suelo.	No.5 CX No.7 RD
	Este conjunto de condiciones para el uso de la bicicleta incluye la Condición 1, así como también los caminos y senderos no pavimentados y de grava de grados moderados. En este conjunto de condiciones, puede haber contacto con terreno irregular y pérdida de contacto del neumático con el suelo. Las bajadas deben limitarse a 15 cm (6") o menos.	No.7 CX No.7 RD+ No.9 CX No.9 RD No.9 RD+
	Este conjunto de condiciones para el uso de la bicicleta incluye la Condición 1 y la Condición 2, así como también los senderos, irregulares, los caminos no pavimentados irregulares y los senderos no mejorados que requieren de habilidades técnicas. Se espera que los saltos y las bajadas sean menores a 61 cm (24").	No.7 MTN No.9 MTN No.9 MTN LT No.9 FAT No.9 MCX
	Este conjunto de condiciones para el uso de la bicicleta incluye las Condiciones 1, 2 y 3 o los grados de pendiente sobre senderos irregulares a velocidades menores a 40km/h (25 mph), o ambas. Se espera que los saltos sean menores a 122 cm (48").	
	Este conjunto de condiciones para el uso de la bicicleta incluye las Condiciones 1, 2, 3 y 4, saltos extremos o grados de pendiente sobre senderos irregulares a velocidades superiores a 40 km/h (25 mph), o una combinación de ambos.	

## Herramientas y materiales necesarios

- Herramienta de ajuste del aro de pletina
- Martillo de bola
- Guantes de protección
- Corte con una sierra para metales con hoja de carburo de tungsteno de 32 tpi para direcciones de aleación/acero, o con una hoja de corte de carbono para direcciones de carbono
- Guía de corte para el tubo de dirección
- Tubos de punta hexagonal de 4, 5, 6 mm
- Ajuste con la llave de tuerca a la escala de Newton metro (Nm)
- Lima de metal
- Líquido para corte
- Grasa
- Marcador de fieltro de punta fina
- Alcohol para frotar
- Anteojos de protección
- Herramienta de ajuste para tuerca estrella
- Lija fina

## Resumen de la instalación de horquilla

La instalación de una horquilla nueva es un proceso de tres pasos:

PASO 1) Verifique la compatibilidad de los componentes del juego de dirección y monte la horquilla en el juego de dirección para que pueda medir y marcar la longitud de corte del tubo de dirección.

PASO 2) Extraiga la horquilla del juego de dirección y corte el tubo de dirección a la longitud deseada.

PASO 3) Vuelva a montar el juego de dirección y la horquilla, añada los manillares, alinee y ajuste.

**▲ ADVERTENCIA:** No seguir estas instrucciones puede causar una falla prematura que provoque un accidente y lesión grave.

### PASO 1 Verificar, montar y marcar

1. Segunda verificación de la compatibilidad de los componentes: verifique que la horquilla, el juego de dirección, los espaciadores del juego de dirección, la abrazadera del tubo de dirección y las demás partes requeridas estén correctamente montados para garantizar que todos posean dimensiones compatibles. Las dimensiones incompatibles pueden causar la falla del componente. Las direcciones de carbono solo pueden ajustarse con una potencia de fijación trasera de tipo ranurado.

**▲ ADVERTENCIA:** Solo use potencias de fijación trasera de tipo ranurado en las direcciones de carbono. No deben usarse potencias con cuña, pues pueden causar una falla (Fig. 1).

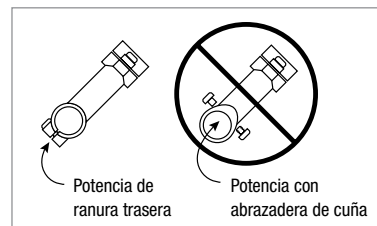


Figura 1

2. Extraiga las rebabas y los bordes filosos: usando guantes de protección, examine la potencia y las partes del juego de dirección y los bordes filosos que pudieran estar en contacto con el tubo de dirección. Extraiga las rebabas y bordes filosos de los componentes de carbono con una lija fina. Use una lima de metal en los componentes metálicos.

3. Instale el aro de pletina: Sostenga la horquilla con una mano y use una herramienta para ajustar el aro de pletina y un martillo/maza de hierro para instalar el aro de pletina en el tubo de dirección, siguiendo las instrucciones del fabricante.

**▲ ADVERTENCIA:** No coloque la horquilla en las puntas de puntera ni apoye la horquilla en el área del aro de pletina mientras instala el aro de pletina. Esto puede dañar a la horquilla (Fig. 2).

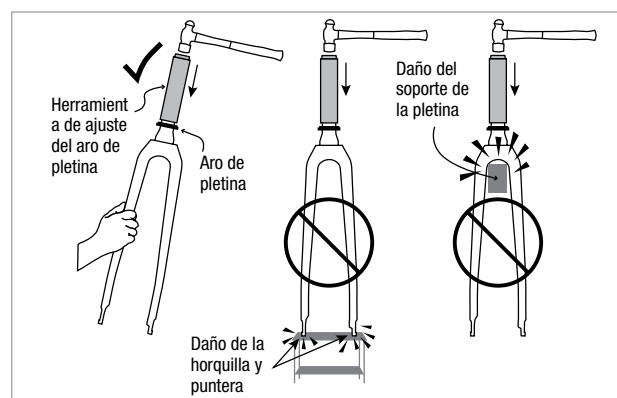


Figura 2

- Instale los topes del juego de dirección siguiendo las instrucciones del fabricante del juego de dirección.
- Instale el conjunto inferior del juego de dirección de acuerdo con las instrucciones del fabricante e inserte la horquilla en el telescopio. Instale el juego de dirección superior siguiendo las instrucciones del fabricante (Fig. 3).

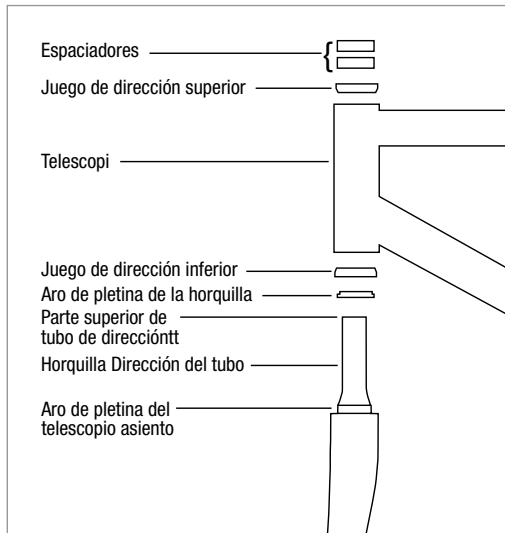


Figura 3

- Añada uno o más espaciadores al tubo de dirección, asegurándose que el apilado del espaciador no exceda los 50 mm (Fig. 4).
- Instale la potencia en la dirección asegurándose de que esté a nivel contra los espaciadores. Asegúrese de que el tubo de dirección se extiende por al menos 8 mm (Fig. 5).

**NOTA:** No continúe con la instalación si el tubo de dirección no se extiende por más de 8 mm por encima de la abrazadera de la potencia.

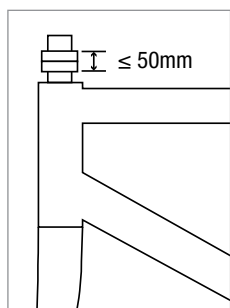


Figura 4

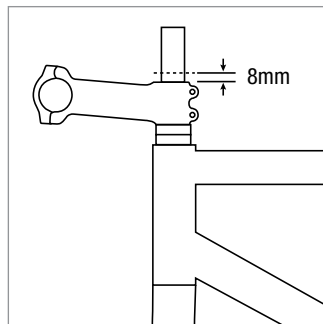


Figura 5

- Añada un espaciador de 10 mm por encima de la abrazadera de potencia y use un marcador de fieltro de punta fina para marcar el tubo de dirección a lo largo del borde superior del espaciador si hubiera un tubo de dirección adicional (Fig. 6).

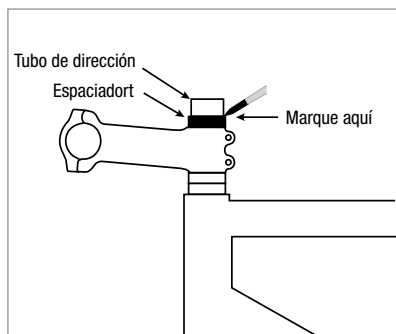


Figura 6

- Extraiga la horquilla del telescopio y separe los componentes del o los espaciadores y el juego de dirección.
- Ubique la marca del paso 8. Mida 3 mm y haga una nueva marca para el corte (Fig. 7). Borre la primera marca.

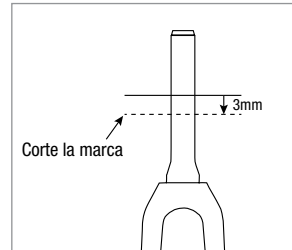


Figura 7

- Vuelva a verificar las medidas para asegurarse de que el tubo de dirección no quede demasiado corto. Es más fácil medir dos veces que comprar una horquilla nueva.

**NOTA:** Después de cortar, el tubo de dirección debe quedar 3 mm por debajo del espaciador de 10 mm para permitir la instalación del tope superior (Fig. 8). Consulte las dos direcciones diferentes a continuación para cortar carbono o aleación/acero.

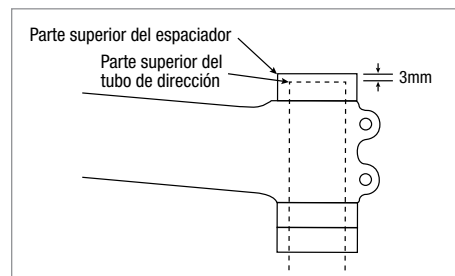


Figura 8

## PASO 2 Corte el tubo de dirección

- Instrucciones para el corte de la dirección de carbono
  - Colóquese los anteojos y guantes de seguridad.
  - Usando una nueva hoja de sierra para corte de carbono y una guía de corte, corte el tubo de dirección.
  - Extraiga las rebabas y bordes filosos con una lija fina.
  - Con alcohol para frotar, limpie el tubo de dirección y el interior de la abrazadera de dirección y extraiga la grasa y la suciedad.
- Instrucciones para el corte de la dirección metálica
  - Colóquese los anteojos y guantes de seguridad.
  - Use una nueva hoja de sierra de dientes finos, tornillo de banco, aceite de corte y la guía de corte, corte el tubo de dirección. Se puede usar un cortatubos con tubos de dirección de aluminio.
  - Extraiga las rebabas y bordes filosos con una lima de metal.
  - Con alcohol de frotar, limpie el tubo de dirección y el interior de la abrazadera de dirección y extraiga la grasa y la suciedad.

**PASO 3 Montaje final**

1. Consulte las dos direcciones para la instalación del tapón de compresión o tuerca estrella

**▲ ADVERTENCIA:** Nunca use una tuerca estrella con una horquilla con tubo de dirección de carbono (Fig. 9). Use un dispositivo de compresión diseñado para direcciones de carbono.

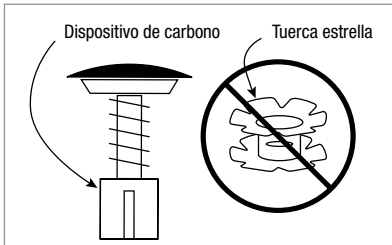


Figura 9

**Instalación de tuerca estrella**

- A. Sostenga la horquilla con una mano (Fig. 2) e instale una tuerca estrella usando una herramienta de ajuste y martillo para tuerca estrella (Fig. 10).

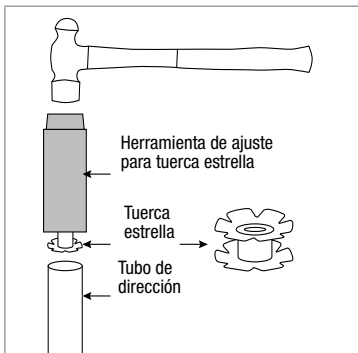


Figura 10

- B. Limpie el tubo de dirección con alcohol para frotar.

**Instalación del tapón de compresión**

- A. Prepare el tapón de compresión de acuerdo con las instrucciones de instalación del mismo.
  - B. Ajuste el tapón de compresión a las especificaciones de par provistas por el fabricante del tapón de compresión.
2. Vuelva a instalar la horquilla, los espaciadores, la potencia y todos los componentes del juego de dirección en el tubo de dirección (Fig. 11).

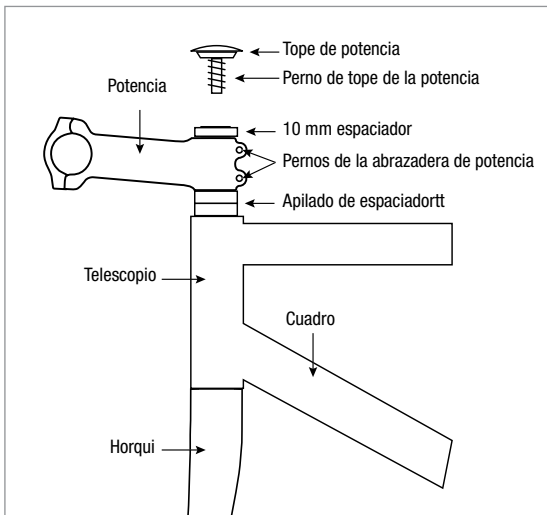


Figura 11

**NOTA:** No ajuste totalmente los pernos de abrazadera de potencia ni el perno de tope de la dirección en este punto

**▲ ADVERTENCIA:** Para los tubos de dirección de carbono, no aplicar compuestos de montaje en grasa o carbono a la interfaz entre la potencia y el tubo de dirección.

3. Instale el manillar siguiendo las instrucciones del fabricante.
4. Instale la rueda en la horquilla y alinéela para obtener el espacio libre adecuado entre la cubierta, la horquilla y el cuadro. Ajuste el eje pasante de liberación rápida o los bujes según las especificaciones.
 

**▲ ADVERTENCIA:** Mantenga al menos un mínimo de 6 mm de espacio libre entre la cubierta, la rueda y cualquier otro elemento de la horquilla, cuadro u otro componente. Es posible que en un espacio libre inadecuado se queden atrapados objetos y causen un accidente, con una lesión grave.

**▲ ADVERTENCIA:** Una falla en el ajuste adecuado de la liberación rápida o del eje pasante para sujetar la rueda puede causar lesiones graves.
5. Alinee el manillar de forma perpendicular a la rueda delantera. Ajuste el perno de tope de la potencia de acuerdo con las especificaciones del fabricante usando una llave con limitador de par y un tubo de punta hexagonal. Si se proporciona la especificación de par, ajuste a 1,6 Nm (15 in-lb).
6. Ajuste los pernos de la abrazadera de potencia de acuerdo con las especificaciones para completar la instalación de la horquilla.
 

**▲ ADVERTENCIA:** Nunca fuerce una potencia ajustada para corregir la desalineación de la potencia a la horquilla. Siempre afloje primero los pernos del tubo de dirección a la potencia. Luego realice el ajuste y vuelva a ajustar los pernos de acuerdo con las especificaciones.

**▲ ADVERTENCIA:** No instalar correctamente el manillar y la potencia puede llevar a lesión grave.
7. Instale y ajuste el freno delantero siguiendo las instrucciones del fabricante del freno.
 

**▲ ADVERTENCIA:** No instalar correctamente el manillar y la potencia puede causar una lesión grave.

**Inspección rutinaria de horquilla y mantenimiento continuo**

**▲ ADVERTENCIA:** Todos los componentes de la bicicleta tienen una vida limitada. El desgaste por uso normal, los impactos, el uso negligente y la falta de un mantenimiento de rutina puede ocasionar una falla inesperada y causar una lesión grave. Antes de cada uso, examine si hay signos de desgaste, tensión o daño relacionado con los impactos. Si un componente no funciona correctamente o si detecta rayones, fisuras, dobleces, partes deshinchadas o decoloración, o si advierte ruidos chirriantes, haga que su distribuidor inspeccione inmediatamente su bicicleta.

**▲ ADVERTENCIA:** Con excepción del corte del tubo de dirección a la longitud correcta, no modifique la horquilla de ninguna manera.

Modificar la horquilla puede causar la falla de la horquilla u otro componente, causando lesiones serias.

**Cómo revisar un componente de carbono**

Los componentes de carbono deben aparecer lustrosos o brillantes y tener una apariencia "profunda". Las áreas delaminadas aparecerán nubosas u opacas.

Revise visualmente toda la bicicleta antes de cada uso. Preste atención a los componentes de carbono como la horquilla y el manillar. Busque fisuras, roturas, golpes, astillas o signos de delaminación. Si detecta alguno de éstos, no use la bicicleta. Si no está seguro de la condición de algún componente de la bicicleta, consulte con su vendedor. No use la bicicleta con un componente dañado.

**▲ ADVERTENCIA:** las fisuras, las roturas, las astillas, los golpes o la delaminación en los componentes de carbono son peligrosos. No use la bicicleta si detecta alguna de estas condiciones. Un componente de carbón averiado puede fallar repentinamente y causar una colisión o lesión grave.

**Cómo detectar la delaminación del carbono:**

**REALICE UNA INSPECCIÓN FÍSICA:** Limpie todo el componente de carbono con un paño y busque combas, puntos blandos, deformados o áreas que ya no sean suaves.

**BUSQUE RUIDOS CHIRRIANTES:** Los componentes de carbono dañados o deteriorados pueden hacer ruidos chirriantes cuando se mueven o están fatigados. Para ubicar el origen del ruido, golpee suavemente el componente de carbono con el mango de un destornillador de plástico. El golpeteo debe generar ruidos consistentes, nítidos y sólidos. Las ubicaciones que produzcan un sonido apagado o amortiguado deben marcarse y ser posteriormente inspeccionadas por un mecánico profesional.

**Revisiones adicionales**

Revise periódicamente los componentes de su bicicleta para asegurarse de que todos los pernos estén completamente ajustados de acuerdo con las especificaciones del fabricante.

**Limpieza**

Limpie con agua y jabón. Seque con un paño.

**Uso de su horquilla nueva con un soporte para bicicleta en estilo montaje de horquilla para autos**

1. Asegúrese de que la fijación del soporte para bicicletas esté cerrada firmemente para evitar daño de caída o pérdida de la bicicleta.
2. Para extraer la bicicleta, levante la horquilla de forma recta para que las punteras se destraben de manera uniforme. Inclinarse la bicicleta para sacarla del soporte puede dañar las punteras (Fig. 12).

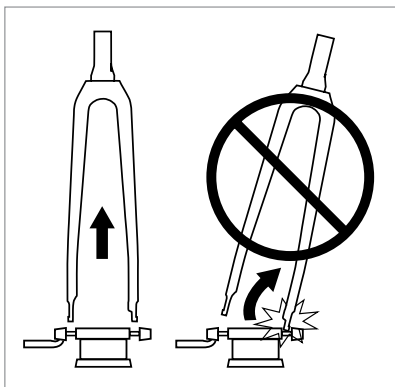


Figura 12

**Instalación en la defensa**

**▲ ADVERTENCIA:** Esta horquilla solo es compatible con defensas de liberación rápida. Consulte con el fabricante de la defensa la compatibilidad específica. Vea las instrucciones de instalación de la defensa por separado.

**Instalación de soporte**

Asegúrese de que horquilla sea compatible con soportes. Vea en la Figura 13 las ubicaciones del montaje de soporte aprobado para la horquilla. Siga las instrucciones del fabricante de soporte para la instalación. Asegúrese de usar todas las piezas metálicas que vienen con el soporte para su instalación.

**▲ ADVERTENCIA:** No monte los soportes en cualquier otro montaje de horquilla que no sean los mostrados en la Figura 13. No instalar correctamente un soporte puede causar una colisión y lesión grave.

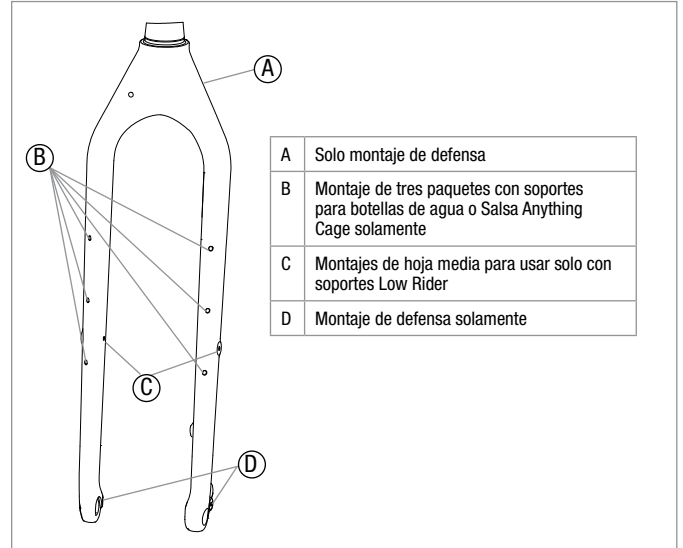


Figura 13

**Instale los accesorios con montajes de 3 paquetes**

Las horquillas equipadas con montajes de 3 paquetes pueden usarse con accesorios como el Anything Cage o los soportes para botellas de agua (Fig. 14). Siga las instrucciones de instalación y los límites de peso provistos con los accesorios. Para las instrucciones de los accesorios, consulte: [whiskyparts.com/safety](http://whiskyparts.com/safety).

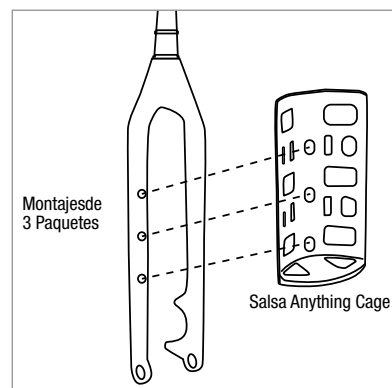


Figura 14

**▲ ADVERTENCIA:** No exceda la capacidad de carga de 3 kg o 6,6 lb para los montajes de 3 paquetes.

**Montaje ligero y trazado de cables**

Consulte [whiskyparts.com](http://whiskyparts.com) para verificar que su horquilla sea de montaje ligero y capaz de montar dinamo. Luego siga las instrucciones del fabricante para la instalación correcta.

De ser posible, pase los cables a través del tubo interno para evitar que entren en contacto con la rueda. Use las piezas metálicas incluidas con la luz para montar la unidad a la horquilla. Ajuste de acuerdo con las especificaciones de par del fabricante, para evitar que la luz se mueva o gire en la rueda.

**▲ ADVERTENCIA:** Se necesitan 6 mm de espacio libre entre la rueda delantera y cualquier accesorio montado en la horquilla.

## Garantía Limitada

Este producto está garantizado contra defectos en los materiales y la fabricación por 5 año(s) a partir de la fecha de compra del producto, sujeto a las limitaciones que a continuación se detallan. Guarde su recibo con fecha para mostrarlo como prueba de la compra.

Esta garantía NO cubre lo siguiente:

- Daño debido a un ensamblado inapropiado o mantenimiento posterior o falta de capacidad, competencia o experiencia del usuario o del ensamblador
- Los productos que se hayan modificado, utilizado con descuido, en competencias o con fines comerciales, que hayan sido mal empleados o cuyo uso se haya excedido o hayan estado implicados en accidentes o cualquier otra circunstancia distinta al uso normal
- Instalación de componentes, piezas o accesorios cuyo uso no esté originalmente previsto o no sea compatible con el producto tal y como se vende
- Daño o deterioro de la pintura, el acabado de la superficie, la estética o la apariencia del producto
- Uso y desgaste normal
- Trabajo requerido para retirar o reacomodar y reajustar el producto dentro del ensamblaje de la bicicleta

Esta garantía limitada se limita explícitamente a la reparación o reemplazo del producto original, a criterio de Whisky, y es la única solución de la garantía. Esta garantía limitada se aplica únicamente al comprador original del producto Whisky y no es transferible. Esta garantía se aplica únicamente a los productos comprados mediante un distribuidor o proveedor autorizado. En ningún caso Whisky será responsable por cualquier pérdida, inconveniente o daño, ya sea directo, accidental, consecuente o cualquier otro que resulte de la violación de cualquier garantía o condición explícita o implícita de comercialización, idoneidad para un propósito específico o cualquier otra respecto a los productos Whisky, excepto por las aquí previstas.

Esta garantía le da al consumidor derechos legales específicos; dichos derechos y otros podrían variar de un lugar a otro. Esta garantía no afecta sus derechos legales.

**EN LA MEDIDA EN QUE LO AUTORICE LA LEY, ESTAS GARANTÍAS SON EXCLUSIVAS Y NO HAY OTRAS GARANTÍAS O CONDICIONES EXPRESAS O IMPLÍCITAS, INCLUIDAS LAS GARANTÍAS O CONDICIONES DE COMERCIALIZACIÓN E IDONEIDAD PARA UN USO ESPECÍFICO.**

Registro de garantía: para procesar un reclamo de garantía, se requiere prueba de la compra. Por lo tanto, Whisky recomienda firmemente que se realice el registro de garantía en [whiskyparts.com](http://whiskyparts.com). Si no se realiza este registro, los derechos del consumidor que se establecen en la garantía limitada anterior no se verán afectados, siempre y cuando el consumidor pueda proporcionar de manera razonable prueba de propiedad original y fecha de compra del producto Whisky. Si usted tiene alguna pregunta, póngase en contacto con [warranty@whiskyparts.com](mailto:warranty@whiskyparts.com).

Se puede presentar un reclamo en cualquier lugar donde se vendan productos Whisky. Cuando tenga dudas, póngase en contacto con su tienda local. Proporcione detalles sobre lo sucedido, incluyendo, entre otras cosas, otros componentes empleados junto con la supuesta pieza Whisky defectuosa.






NOTA: El plazo de la Garantía no es una garantía de la vida útil del producto. La vida del producto está influenciada por la manera en que se usa, almacena y mantiene el producto a lo largo del tiempo. La Garantía no pretende sugerir que el producto no puede descomponerse o que el producto durará para siempre. La Garantía solo significa que el producto está cubierto y sujeto a los términos de la Garantía.

Merci d'avoir choisi Whisky Parts Co. Whisky conçoit des pièces et accessoires pour vélos ultra performants en toutes situations pour que vous puissiez rouler en toute confiance. Merci de prendre le temps d'enregistrer votre produit avant de vous lancer sur les pistes.

**▲ AVERTISSEMENT :** Le cyclisme est une activité dangereuse. Les pièces pour vélo doivent être montées et réparées par un mécanicien professionnel. Ne modifiez jamais votre vélo ou vos accessoires. Lisez et suivez tous les avertissements et modes d'emploi des produits, y compris les informations sur le site Web du fabricant. Inspectez votre vélo avant chaque sortie. Portez toujours un casque.

## Compatibility & Intended Use

Pour toute information complémentaire relative aux produits et à la sécurité rendez-vous sur le site Web : [whiskyparts.com/safety](http://whiskyparts.com/safety)

CONDITION	DESCRIPTION	COMPATIBILITÉ DES MODÈLES
	Il s'agit d'un ensemble de conditions d'utilisation d'un vélo sur une surface pavée régulière où les pneus sont destinés à maintenir le contact avec le sol.	No.5 CX No.7 RD
	Il s'agit d'un ensemble de conditions d'utilisation d'un vélo comprenant la Condition 1 aussi bien sur les routes non pavées et en gravier et les sentiers à pente modérée. Dans dans telles conditions, le contact avec un terrain irrégulier et la perte de contact du pneu avec le sol peuvent se produire. Les dénivellations sont destinées à être limitées à 15 cm (6") ou moins.	No.7 CX No.7 RD+ No.9 CX No.9 RD No.9 RD+
	Il s'agit d'un ensemble de conditions d'utilisation d'un vélo qui comprend aussi bien la Condition 1 et la Condition 2 que les sentiers accidentés, les routes non pavées, les terrains accidentés et les sentiers non entretenus qui exigent des compétences techniques. Les obstacles et dénivellations doivent être inférieurs à 61 cm (24").	No.7 MTN No.9 MTN No.9 MTN LT No.9 FAT No.9 MCX
	Il s'agit d'un ensemble de conditions d'utilisation d'un vélo qui comprend aussi bien les Conditions 1, 2 et 3 ou en descente sur des sentiers accidentés à des vitesses inférieures à 40 km/h (25 mi/h), ou les deux. Les obstacles et dénivellations doivent être inférieurs à 122 cm (48").	
	Il s'agit d'un ensemble de conditions d'utilisation d'un vélo qui comprend aussi bien les Conditions 1, 2, 3 et 4 ; sauts extrêmes ; ou descentes sur des sentiers accidentés à des vitesses supérieures à 40 km/h (25 mi/h) ; ou une combinaison des deux.	

## Outils et matériels requis

- Outil de réglage de la douille de direction
- Marteau à panne ronde
- Gants de protection
- Scie à métaux précieux avec lame fine en acier au carbure de tungstène 32 tpi pour tubes de pivot en alliage/ acier ou lame de coupe en carbone pour les tubes de pivot en carbone.
- Guide de coupe du tube de pivot
- Douilles à six pans creux de 4, 5, 6 mm
- Clé dynamométrique avec échelle Newton-mètre (Nm)
- Lime en métal
- Liquide de coupe
- Graisse
- Marqueur feutre à pointe fine
- Alcool à friction
- Lunettes de protection oculaire
- Outil de réglage d'écrou étoilé
- Papier de verre à grain fin

## Montage des fourches, Vue d'ensemble

L'installation d'une nouvelle fourche est un processus en trois étapes :

ÉTAPE 1) Vérifiez la compatibilité des composants du jeu de direction et montez la fourche dans le jeu de direction afin de pouvoir mesurer et marquer la longueur de coupe du tube de pivot.

ÉTAPE 2) Retirez la fourche du jeu de direction et raccourcir le tube de pivot à la longueur voulue.

ÉTAPE 3) Remontez le jeu de direction et la fourche, ajoutez le guidon, alignez et serrez.

**▲ AVERTISSEMENT :** Le non-respect de ces instructions peut entraîner une défaillance prématurée des composants entraînant un accident et des blessures graves.

## ÉTAPE 1 Vérification, montage et marquage

1. **Revérifiez la compatibilité des composants :** Vérifiez la fourche, le jeu de direction, les entretoises du jeu de direction, le collier de la potence et toutes les autres pièces nécessaires pour un assemblage approprié afin de s'assurer de la compatibilité de toutes les dimensions. L'incompatibilité de dimensions peut causer la défaillance d'un composant.

Les tubes de pivot en carbone ne peuvent s'adapter qu'à une potence à collier arrière à fente.

**▲ AVERTISSEMENT :** N'utilisez que des potences à collier arrière à fente sur les tubes de pivot en carbone. Pour éviter toute défaillance, n'utilisez pas de potence à bride fermée (Fig. 1).

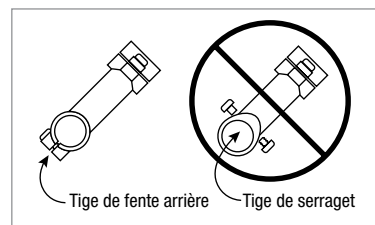


Figure 1

2. **Éliminer les bavures et les arêtes vives :** En portant des gants de protection, examinez les pièces de la potence et du jeu de direction à la recherche de bavures et d'arêtes vives qui pourraient entrer en contact avec le tube de pivot. Éliminez les bavures et les arêtes vives des composants en carbone à l'aide d'un papier de verre à grain fin. Utilisez une lime métallique sur les composants métalliques.



3. **Installer la douille de direction :** Tenez la fourche d'une main et utilisez un outil de réglage de douille de direction et un marteau/maillet pour installer la douille de direction sur le tube de pivot, en suivant les instructions du fabricant.

**▲ AVERTISSEMENT :** Ne pas placer la fourche sur les extrémités des pattes ni soutenir la fourche dans la partie douille lors du montage de la douille de direction, au risque d'endommager la fourche (Fig. 2).

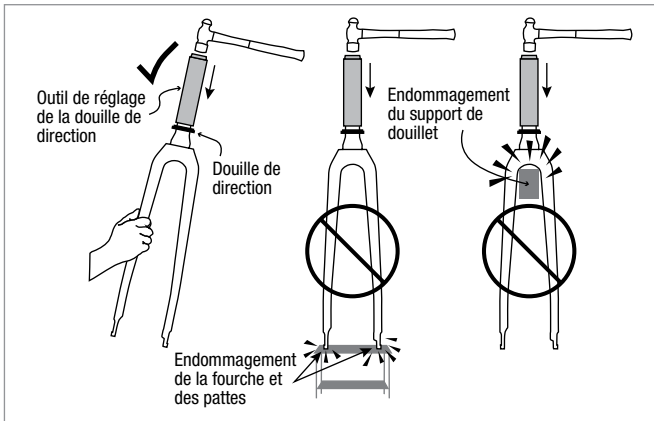


Figure 2

4. Posez les cuvettes du jeu de direction dans le tube de direction en suivant les instructions du fabricant du jeu de direction.  
5. Installez l'assemblage inférieur du jeu de direction selon les instructions du fabricant et insérez la fourche dans le tube de direction. Installez le jeu de direction supérieur en suivant les instructions du fabricant (Fig. 3).

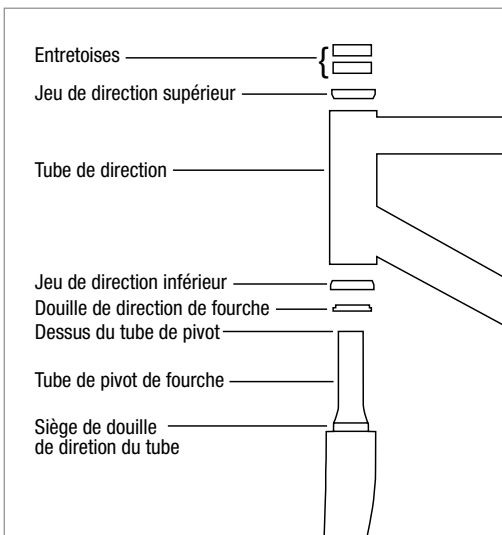


Figure 3

6. Ajoutez une ou plusieurs entretoises au tube de pivot, en veillant à ce que la pile d'entretoises ne dépasse pas 50 mm (Fig. 4).  
7. Installez la potence sur le pivot en veillant à ce qu'elle soit à fleur contre les entretoises. Veillez à ce que le tube de pivot dépasse d'au moins 8 mm (Fig. 5).

**REMARQUE :** Ne pas poursuivre l'installation si le tube de pivot ne dépasse pas de 8 mm au-dessus du collier de la potence.

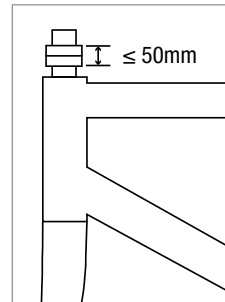


Figure 4

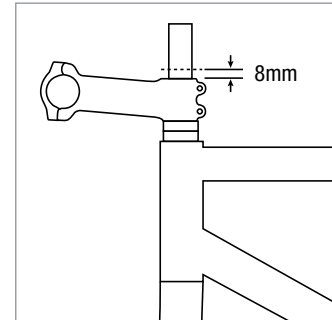


Figure 5

8. Ajoutez une entretoise de 10 mm au-dessus du collier de la potence et utilisez un marqueur en feutre fin pour marquer le tube de pivot le long du bord supérieur de l'entretoise si un tube de pivot supplémentaire est présent. (Fig. 6).

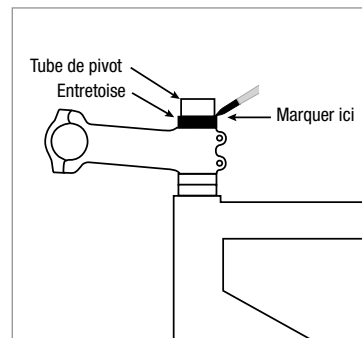


Figure 6

9. Retirez la fourche du tube de direction et mettez de côté l'entretoise et les composants du jeu de direction.  
10. Localisez le repère effectué à l'étape 8. Mesurez 3 mm vers le bas et faites un nouveau repère de découpe (Fig. 7). Effacez le premier repère.

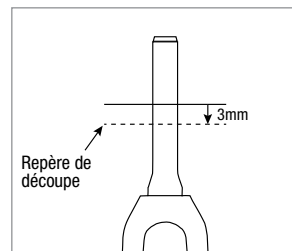


Figure 7

11. Revérifiez les mesures pour vous assurer de ne pas couper trop court le tube de pivot. Il vaut mieux mesurer deux fois que d'acheter une nouvelle fourche.

**REMARQUE :** Après la coupe, le tube de pivot doit se situer 3 mm en dessous de l'entretoise de 10 mm pour permettre l'installation du capuchon supérieur (Fig. 8). Reportez-vous aux deux directions différentes ci-dessous pour la coupe du carbone ou de l'alliage/acier.

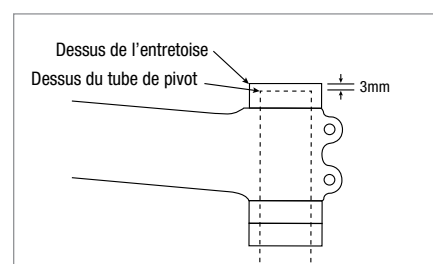


Figure 8

## ÉTAPE 2 Coupez le tube de pivot

- Instructions de coupe du tube de pivot au carbone.
  - Portez des lunettes de sécurité et des gants de protection.
  - Coupez le tube de pivot à l'aide d'une nouvelle lame de scie à métaux et d'un guide de coupe.
  - Éliminez les bavures et les arêtes vives à l'aide de papier de verre à grain fin.
  - Nettoyez le tube de pivot et l'intérieur du collier de la potence avec de l'alcool à friction pour éliminer la graisse et la saleté.
- Instructions de coupe du tube de pivot métallique.
  - Portez des lunettes de sécurité et des gants de protection.
  - Utilisez une nouvelle lame de scie à dents fines, un étau, un liquide de coupe et une lame de scie à dents fines et d'un guide de coupe, coupez le tube de pivot. Utilisez un coupe-tuyau pour les tubes de pivot en aluminium.
  - Éliminez les bavures et les arêtes vives à l'aide d'une lime métallique.
  - Nettoyez le tube de pivot et l'intérieur du collier de la potence avec de l'alcool à friction pour éliminer la graisse et la saleté.

## ÉTAPE 3 Montage final

- Reportez-vous aux deux directions différentes d'installation du bouchon de compression ou l'étoile de fixation.

**▲ AVERTISSEMENT :** Ne jamais utiliser d'étoile de fixation lors de la pose d'une fourche à tube de pivot en carbone (Fig. 9). Utilisez un dispositif de compression conçu pour les tubes de pivot en carbone.

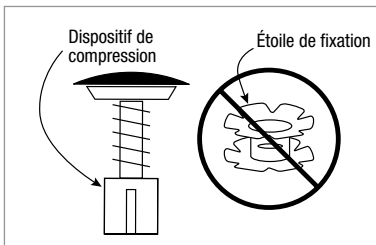


Figure 9

### Pose de l'étoile de fixation

- Tenez la fourche d'une main (Fig. 2) et posez un nouvelle étoile de fixation à l'aide d'un outil de pose d'écrou et d'un marteau (Fig. 10).

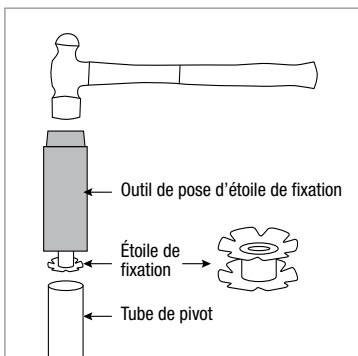


Figure 10

- Nettoyez le tube de pivot avec de l'alcool à friction.

### Pose du bouchon de compression

- Préparez le bouchon de compression selon les instructions d'installation de ce dernier.

- Serrez le bouchon de compression selon les spécifications de couple de serrage fournies par le fabricant du bouchon de compression.
- Remontez la fourche, les entretoises, la potence et tous les composants du jeu de direction dans le tube de direction (Fig. 11).

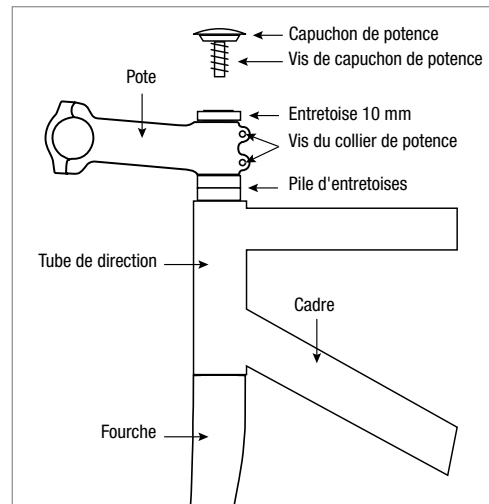


Figure 11

**REMARQUE :** À ce stade, ne pas serrer complètement les vis du collier de serrage de la potence ou la vis du capuchon de potence

**▲ AVERTISSEMENT :** Pour les tubes de pivot en carbone, ne pas appliquer de graisse ou de composé d'assemblage en carbone sur la surface entre la potence et le tube de pivot.

- Installez le guidon suivant les instructions du fabricant.
- Posez la roue sur la fourche et alignez-la pour obtenir un dégagement adéquat entre le pneu, la fourche et le cadre. Serrez l'axe traversant à serrage rapide ou les moyeux boulonnés selon les spécifications.
 

**▲ AVERTISSEMENT :** Maintenir un dégagement d'au moins 6 mm entre le pneu, la roue et tout élément d'une fourche, d'un cadre ou d'un autre composant. Un dégagement inadéquat peut entraîner le coincement d'objets et provoquer un accident et des blessures graves.

**▲ AVERTISSEMENT :** Régler correctement l'axe traversant à serrage rapide pour sécuriser la roue et pour éviter les risques des blessures graves.
- Alignez le guidon perpendiculairement à la roue avant. Serrez la vis de capuchon de potence selon les spécifications du fabricant à l'aide d'une clé dynamométrique et d'une douille à six pans creux. Si les spécifications de couple ne sont pas fournies, serrez à 1,6 Nm (15 lb/lb).
- Serrez les vis du collier de serrage de la potence selon les spécifications du fabricant pour compléter l'installation de la fourche.
 

**▲ AVERTISSEMENT :** Ne jamais forcer une potence serrée pour corriger le mauvais alignement de la potence par rapport à la fourche. Desserrez toujours les vis de la potence sur le tube de pivot. Effectuez ensuite le réglage puis resserrez les vis selon les spécifications.

**▲ AVERTISSEMENT :** Une installation incorrecte du guidon et de la potence peut entraîner des blessures graves.
- Posez le frein avant et réglez-le en suivant les instructions du fabricant de frein.
 

**▲ AVERTISSEMENT :** Une installation et un réglage incorrects des freins peuvent entraîner des blessures graves.

## Inspection de routine des fourches et entretien continu

**▲ AVERTISSEMENT :** Chaque composant du vélo a une durée de vie limitée. L'usure normale, les chocs, l'utilisation négligente et un entretien courant insuffisant peuvent causer des défaillances non anticipées et entraîner des blessures graves. Avant chaque sortie, examinez votre vélo pour détecter tout signe d'usure, de contraintes ou de dommages liés à l'impact. Si un composant ne fonctionne pas correctement ou si vous détectez des entailles, fissures, courbures, effilochages, ou décolorations ou que vous observez des craquements, faites inspecter immédiatement votre vélo par votre revendeur.

**▲ AVERTISSEMENT :** À part la découpe du tube de pivot à la bonne longueur, ne pas modifier la fourche de quelque façon que ce soit.

Toute modification de la fourche pourrait entraîner une défaillance de cette dernière ou d'autres composants, et entraîner des blessures graves.

### Comment inspecter un composant en carbone ?

Les composants en carbone doivent être vitreux ou brillants et avoir une apparence « foncée ». Les zones délaminiées auront un apparence trouble ou opaque.

Inspectez visuellement votre vélo avant chaque sortie. Portez une attention particulière aux composants en carbone comme la fourche et le guidon. Recherchez des signes de fissure, cassures, copeaux, éclats, ou des signes de délamination. Si vous détectez tout signe, évitez d'utiliser votre vélo. Si vous n'êtes pas sûr de l'état d'un composant de votre vélo, consultez votre revendeur. Évitez de rouler avec un composant endommagé.

**▲ AVERTISSEMENT :** La présence de fissure, copeau, rupture, éclatement ou délaminage d'un composant en carbone constitue un risque grave. Évitez toute sortie si vous détectez l'une de ces conditions. Un composant fissuré ou endommagé peut se briser soudainement et entraîner un accident et des blessures graves.

### Pour détecter la délamination du carbone :

**EFFECTUEZ UNE INSPECTION PHYSIQUE :** Essayez le long du composant en carbone à l'aide d'un chiffon, à la recherche de renflements, de points mous ou déformés, ou de zones qui ne sont plus lisses.

**ÉCOUTEZ LES BRUITS DE CRAQUEMENT :** Les composants en carbone endommagés ou détériorés peuvent émettre des craquements lorsqu'ils sont déplacés ou sont soumis à des contraintes. Pour localiser la source d'un bruit, tapotez doucement le long du composant en carbone avec un tournevis en plastique. Le tapotement devrait produire des sons solides, aigus et consistants.

Les endroits qui produisent un son sourd ou étouffé doivent être marqués et ensuite inspectés par un mécanicien professionnel.

### Inspections supplémentaires

Inspectez périodiquement les composants de votre vélo pour vous assurer que tous les vis sont serrées correctement selon les spécifications du fabricant.

### Nettoyage

Nettoyez avec de l'eau et du savon. Séchez à l'aide d'un chiffon.

## Utilisation de votre nouvelle fourche avec un porte-bicyclette à montage sur fourche de type automobile

1. Assurez-vous que le collier du porte-bicyclette est bien serré afin d'éviter d'endommager les pattes ou de perdre le vélo.
2. Pour retirer la bicyclette, soulevez la fourche de façon à dégager les pattes uniformément. Incliner le vélo hors du support risque d'endommager les pattes (Fig. 12).

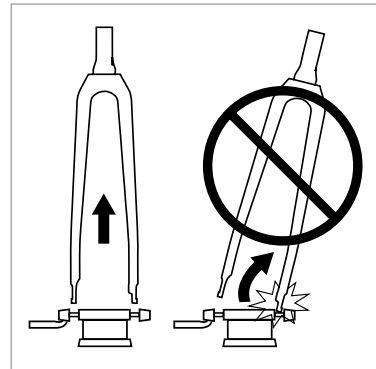


Figure 12

## Installation sur garde-boue

**▲ AVERTISSEMENT :** Cette fourche n'est compatible qu'avec les garde-boue à dégagement rapide. Consultez le fabricant de garde-boue pour connaître les compatibilités spécifiques.

Voir les instructions distinctes d'installation du garde-boue.

## Installation d'un porte-bagage

Assurez-vous que votre fourche est compatible avec le porte-bagage. Voir Figure 13 pour les emplacements de montage de porte-bagage homologués sur la fourche. Suivez les instructions d'installation du fabricant de porte-bagage. Assurez-vous d'utiliser tout le matériel fourni avec le porte-bagage pour l'installation.

**▲ AVERTISSEMENT :** Ne pas monter de porte-bagages sur des montures de fourches autres que celles illustrées à la Figure 13. L'installation incorrecte d'un porte-bagage peut entraîner un accident et causer des blessures graves.

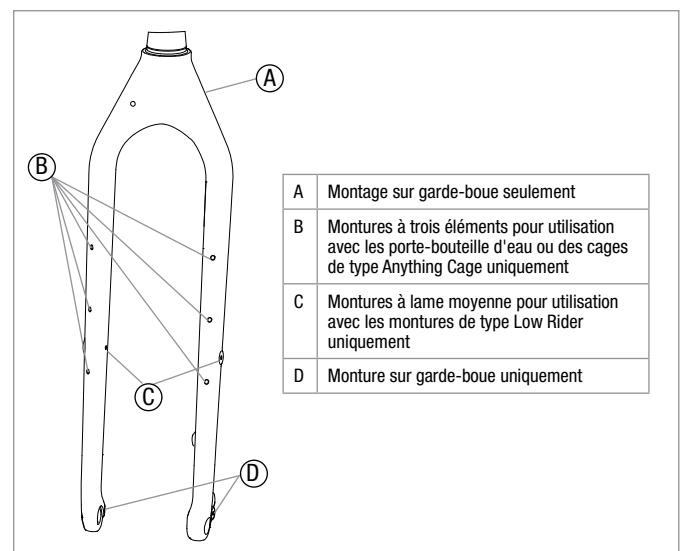


Figure 13

## Installation d'accessoires à l'aide de montures 3-Pack

Les fourches équipées de montures 3-Pack peuvent être utilisées avec des accessoires tels que la cage Anything Cage ou les portes-bouteilles (Fig. 14). Suivez les instructions d'installation et les limites de poids fournies avec les accessoires. Pour connaître les instructions sur les accessoires, rendez-vous sur le site : [whiskyparts.com/safety](http://whiskyparts.com/safety).

**▲ AVERTISSEMENT** : Ne pas dépasser la capacité de charge de 3 kg ou 6,6 lb pour les montures 3-Pack.

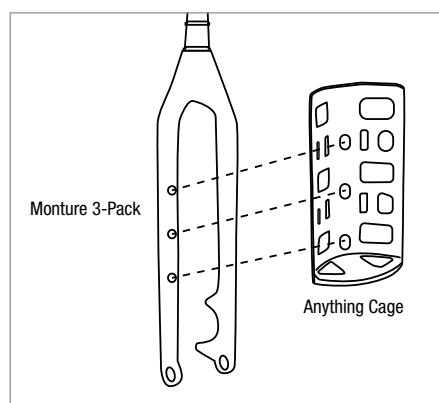


Figure 14

## Montage des feux d'éclairage et acheminement des câbles

Rendez-vous sur le site [whiskyparts.com](http://whiskyparts.com) pour vérifier que votre fourche peut recevoir des feux d'éclairage et un dynamo. Suivez les instructions du fabricant pour une installation correcte.

Si possible, faites passer les câbles par dessus le tube interne pour éviter qu'ils n'entrent en contact avec la roue. Utilisez le matériel fourni avec les feux d'éclairage pour monter l'appareil sur la fourche. Serrez au couple spécifié par le fabricant pour empêcher le feu de bouger ou de tourner dans la roue.

**▲ AVERTISSEMENT** : Dégagement de 6 mm nécessaire entre la roue avant et n'importe quel accessoire monté sur la fourche.

## Whisky Parts Co. Garantie limitée

Le présent produit est garanti contre les défauts de matériaux et de fabrication pendant 5 an(s) à compter de la date d'achat au détail du produit, sous réserve des limitations détaillées ci-dessous. Conservez votre facture datée en guise de preuve d'achat.

La présente garantie ne couvre PAS les éléments suivants :

- Les dommages causés par un mauvais assemblage, un mauvais entretien ou par le manque de compétences, d'aptitude ou d'expérience de l'utilisateur ou de l'assembleur.
- Les produits qui ont été modifiés, négligés, utilisés en concurrence ou à des fins commerciales, utilisés de manière inappropriée ou abusive, impliqués dans des accidents ou qui ont subi toute utilisation anormale.
- L'installation de composants, de pièces ou d'accessoires non compatibles ou non prévus pour être ajoutés au produit tel qu'il est vendu.
- Les dommages ou la détérioration de la peinture, du fini, de la qualité esthétique ou de l'apparence du produit.
- L'usure normale.
- La main-d'œuvre nécessaire pour retirer et/ou remonter et réajuster le produit sur le vélo.

La garantie limitée est expressément limitée à la réparation et au remplacement du produit d'origine, selon la décision de Whisky, et le seul recours possible en vertu de la garantie. La présente garantie limitée s'applique à l'acquéreur d'origine du produit Whisky et n'est pas transférable. La présente garantie s'applique uniquement aux produits achetés auprès d'un vendeur ou d'un distributeur autorisé. En aucun cas Whisky ne sera responsable de toute perte, tout désagrément ou tout dommage, qu'il soit direct, accidentel, consécutif ou qu'il résulte de tout autre manquement à toute condition ou garantie expresse ou implicite de qualité marchande, d'aptitude à un emploi précis ou autre des produits Whisky, exception faire des conditions établies aux présentes.

La présente garantie donne au consommateur des droits juridiques précis, et ces droits, ainsi que ses autres droits, peuvent varier selon son emplacement. La présente garantie n'affecte pas vos droits prévus par la loi.

**DANS LA MESURE OÙ LA LOI L'AUTORISE, LES PRÉSENTES GARANTIES SONT EXCLUSIVES ET IL N'EXISTE AUCUNE AUTRE GARANTIE OU CONDITION, EXPLICITE OU IMPLICITE, NOTAMMENT TOUTE GARANTIE OU CONDITION DE QUALITÉ MARCHANDE OU D'APTITUDE À UN EMPLOI SPÉCIFIQUE.**

Enregistrement de la garantie : une preuve d'achat est requise avant le traitement de toute réclamation au titre de la garantie. Whisky recommande donc vivement l'enregistrement de la garantie sur [whiskyparts.com](http://whiskyparts.com). L'absence dudit enregistrement n'aura pas de conséquence sur les droits du consommateur en vertu de la garantie limitée décrite ci-dessus, dans la mesure où le consommateur peut prouver de manière raisonnable qu'il est le propriétaire d'origine du produit Whisky, ainsi que la date d'achat dudit produit. Si vous avez des questions, contactez [warranty@whiskyparts.com](mailto:warranty@whiskyparts.com)

Vous pouvez déposer une Réclamation partout où les produits Whisky sont vendus. En cas de doute, contactez votre magasin local. Détaillez le problème que vous rencontrez, notamment, sans si limiter, en décrivant les autres pièces utilisées conjointement avec la pièce Whisky défectueuse.

**REMARQUE** : La durée de la Garantie ne constitue pas une garantie de durée de fonctionnement du produit. La durée de vie du produit dépend de son utilisation, de son stockage et de son entretien au fil du temps. La Garantie ne sous-entend pas que le produit ne peut pas être cassé ou qu'il sera éternel. La Garantie indique simplement que le produit est protégé en vertu des dispositions de la Garantie.

Grazie per aver scelto Whisky Parts Co. Whisky progetta parti e accessori per biciclette per consentire prestazioni di alto livello in ogni momento e andare in bicicletta in sicurezza. Dedica qualche minuto alla registrazione del tuo prodotto prima di lanciarti sulle piste.

**▲ AVVERTENZA:** Andare in bicicletta può essere pericoloso. I prodotti ciclistici devono essere installati e riparati da un meccanico professionista. Non modificare mai la bicicletta o gli accessori. Leggere e seguire tutte le istruzioni sui prodotti e le avvertenze, includendo le informazioni presenti sul sito web del costruttore. Ispezionare la bicicletta ogni volta che viene usata. Indossare sempre il casco.

## Compatibilità e uso previsto

Eventuali informazioni aggiuntive sul prodotto e sulla sicurezza sono disponibili sul sito web: [whiskyparts.com/safety](http://whiskyparts.com/safety)

CONDIZIONI	DESCRIZIONE	COMPATIBILITÀ DEL MODELLO
	Queste sono una serie di condizioni per l'uso di una bicicletta su una superficie regolarmente asfaltata, su cui si prevede che i copertoni mantengano il contatto con il suolo.	No.5 CX No.7 RD
	Di seguito è riportata una serie di condizioni per l'uso di una bicicletta che include la Condizione 1, oltre a strade non asfaltate o sterrate e sentieri di difficoltà moderata. In questa serie di condizioni, si presentano casi di contatto con terreno irregolare o di perdita del contatto con il suolo. I drop devono limitarsi a un massimo di 15 cm (6").	No.7 CX No.7 RD+ No.9 CX No.9 RD No.9 RD+
	Di seguito è riportata una serie di condizioni per l'uso di una bicicletta che include la condizione 1 e la condizione 2, oltre a sentieri impervi, strade non asfaltate sconnesse e terreni difficili, e infine sentieri non mantenuti che richiedono capacità tecniche. I drop e i salti devono limitarsi a un massimo di 61 cm (24").	No.7 MTN No.9 MTN No.9 MTN LT No.9 FAT No.9 MCX
	Di seguito è riportata una serie di condizioni per l'uso di una bicicletta che include le condizioni 1, 2 e 3 o discese su sentieri impervi a velocità minori a 40 km/h (25 mph), o entrambi i casi. I salti devono limitarsi a un massimo di 122 cm	
	Di seguito è riportata una serie di condizioni per l'uso di una bicicletta che include le condizioni 1, 2, 3 e 4; salto estremo, o didiscesel su sentieri impervi a velocità superiori a 40km/h (25 mph); o una combinazione di tali condizioni.	

## Strumenti e materiali richiesti

- Strumento di regolazione dell'anello della corona
- Martello a penna sferica
- Guanti protettivi
- Seghetto con lama d'acciaio sottile in carburo di tungsteno 32 tpi per forcelle in lega/acciaio o con lama da taglio di carbonio per le forcelle di carbonio
- Guida al taglio del cannotto della forcella
- Giunti a testa esagonale da 4, 5, 6mm
- Chiave dinamometrica con scala newton-metro (Nm)
- Lima di metallo
- Fluido di taglio
- Grasso
- Pennarello a punta fine
- Alcool isopropilico
- Occhiali protettivi
- Strumento di regolazione con dado a stella
- Carta vetrata fine

## Informazioni generali sull'installazione delle forcelle

L'installazione di una nuova forcella è un processo costituito da tre fasi:

FASE 1) Controllare i componenti della serie sterzo per verificare che siano compatibili e assemblare la forcella nella serie sterzo in modo da poter misurare e contrassegnare la lunghezza di taglio del cannotto della forcella.

FASE 2) Rimuovere la forcella dalla serie sterzo e tagliare il cannotto della forcella in lunghezza.

FASE 3) Riasssemblare la serie sterzo e la forcella, aggiungere il manubrio, allineare e serrare.

**▲ ATTENZIONE:** L'inosservanza di tali istruzioni potrebbe comportare guasti prematuri ed eventuali incidenti con lesioni gravi.

## FASE 1 Controllare, Assemblare e Contrassegnare

1. Eseguire un doppio controllo sulla compatibilità dei componenti: Controllare la forcella, la serie sterzo, i distanziatori della serie sterzo, il morsetto dello stelo della forcella e tutte le altre parti richieste in modo da verificare che siano assemblate correttamente e presentino dimensioni compatibili. Eventuali dimensioni incompatibili possono comportare guasti ai componenti.

Sulle forcelle di carbonio può essere montato solo uno stelo con morsetto posteriore del tipo a fessura.

**▲ ATTENZIONE:** Sulle forcelle di carbonio utilizzare solo ed esclusivamente steli con morsetti posteriori del tipo a fessura. Mai utilizzare steli con morsetto a cuneo in quanto potrebbero comportare guasti (Fig. 1).

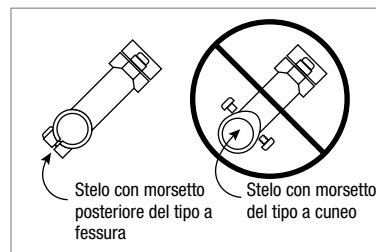


Figura 1

2. Rimuovere sbavature o bordi affilati: Indossare guanti protettivi, esaminare lo stelo e le parti della serie sterzo in modo da verificare che non vi siano sbavature o bordi affilati che possano entrare in contatto con il cannotto della forcella. Rimuovere eventuali sbavature e bordi affilati dai componenti in carbonio utilizzando carta vetrata fine. Sui componenti in metallo utilizzare una lima di metallo.

- Montare l'anello della corona: Tenere la forcella con una mano e utilizzare uno strumento di regolazione della corona e un martello/mazzuolo per inserire la corona sul canotto della forcella, seguendo le istruzioni del produttore.

**⚠ ATTENZIONE:** Non posizionare la forcella sulle estremità dei forcellini né sostenere la forcella nell'area della corona durante l'installazione del relativo anello. Una simile azione potrebbe danneggiare la forcella (Fig.2).

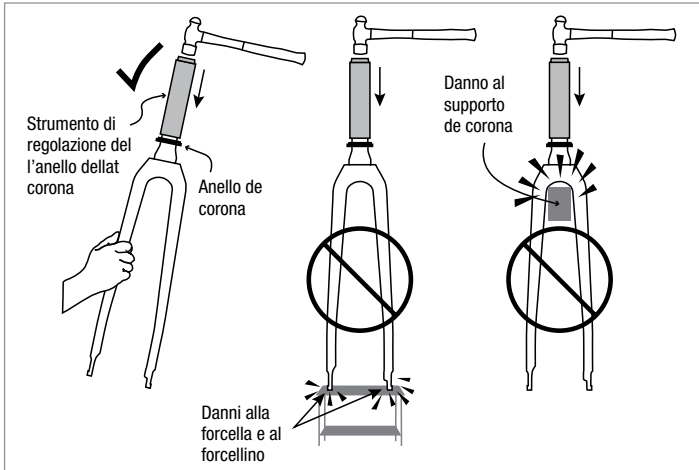


Figura 2

- Assemblare le calotte della serie sterzo nel tubo dello sterzo seguendo le istruzioni del produttore della serie sterzo.
- Installare il gruppo inferiore della serie sterzo in base alle istruzioni del produttore e inserire la forcella nel tubo dello sterzo. Assemblare la parte superiore della serie sterzo seguendo le istruzioni del produttore (Fig. 3).

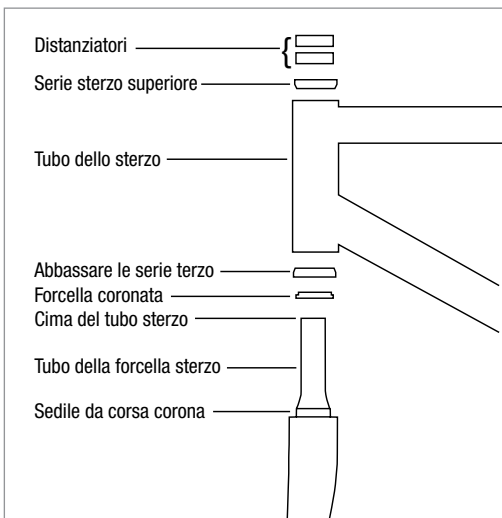


Figura 3

- Aggiungere uno o più spaziatori al canotto della forcella, verificando la sovrapposizione di distanziatori non superiori 50mm (Fig. 4).
- Assemblare lo stelo sulla forcella verificando che sia allineato contro i distanziatori. Verificare che il canotto della forcella si estenda ad almeno 8mm (Fig. 5).

**NOTA:** Non continuare l'installazione qualora il canotto della forcella non si estenda 8mm al di sopra del morsetto dello stelo.

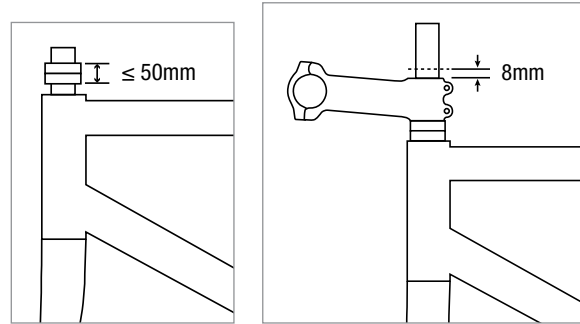


Figura 4

Figura 5

- Aggiungere un distanziatore da 10mm al di sopra del morsetto dello stelo e utilizzare un pennarello a punta fine per contrassegnare il canotto della forcella lungo il bordo superiore del distanziatore nel caso in cui vi sia un canotto della forcella extra (Fig. 6).

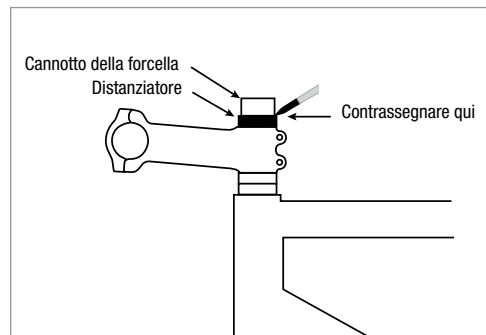


Figura 6

- Rimuovere la forcella dal tubo dello sterzo e mettere da parte il o i distanziatori e i componenti della serie sterzo.
- Identificare il contrassegno della fase 8. Misurare verso il basso 3mm e contrassegnare nuovamente per il taglio (Fig. 7). Cancellare il primo contrassegno.

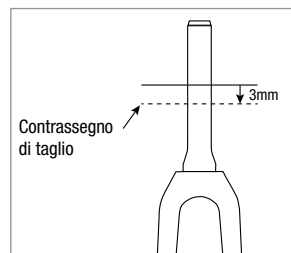


Figura 7

- Eseguire un doppio controllo delle misurazioni per verificare che il canotto della forcella non venga tagliato troppo corto. È più semplice fare un doppio controllo che acquistare una nuova forcella.

**NOTA:** Dopo il taglio, il canotto della forcella deve essere 3mm al di sotto del distanziatore da 10mm onde consentire l'installazione della calotta superiore (Fig. 8). Fare riferimento alle due diverse indicazioni qui di seguito riportate per il taglio del carbonio o della lega/acciaio.

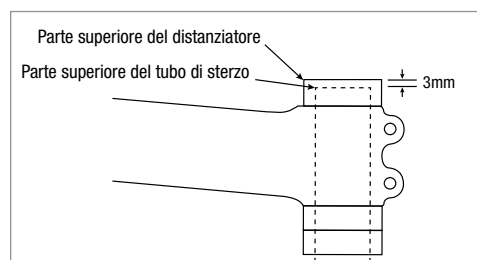


Figura 8

## FASE 2 Tagliare il cannotto della forcella

1. Istruzioni per il taglio della forcella di carbonio
  - A. Indossare i guanti e gli occhiali di protezione.
  - B. Utilizzando una lama di seghetto per il taglio del carbonio nuova e una guida di taglio, tagliare il cannotto della forcella.
  - C. Rimuovere eventuali sbavature e bordi affilati utilizzando carta vetrata fine.
  - D. Pulire il cannotto della forcella e l'interno del morsetto dello stelo con alcool isopropilico per rimuovere eventuale grasso e sporcizia.
2. Istruzioni per il taglio della forcella di metallo
  - A. Indossare i guanti e gli occhiali di protezione.
  - B. Utilizzare una lama di seghetto nuova a denti fini, una morsa, un fluido di taglio, e una guida al taglio idonea per tagliare il cannotto della forcella. È possibile utilizzare un tagliatubi con Cannotti della forcella di alluminio.
  - C. Rimuovere eventuali sbavature e bordi affilati utilizzando una lima di metallo.
  - D. Pulire il cannotto della forcella e l'interno del morsetto dello stelo con alcool isopropilico per rimuovere eventuale grasso e sporcizia.

## STEP 3 Assemblaggio finale

1. Fare riferimento alle due diverse indicazioni per l'installazione del tappo di compressione o del dado a stella.
 

**▲ ATTENZIONE:** Mai utilizzare un dado a stella con un tubo della forcella di carbonio (Fig. 9). Utilizzare un dispositivo di compressione appositamente ideato per le forcelle di carbonio.

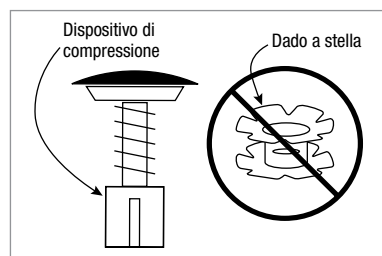


Figura 9

### Assemblaggio del dado a stella

- A. Tenere la forcella con una mano (Fig. 2) e assemblare un nuovo dado a stella utilizzando un apposito strumento di regolazione e un martello (Fig. 10).

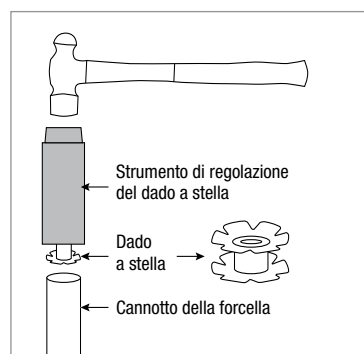


Figura 10

- B. Pulire il cannotto della forcella con alcool isopropilico.

### Assemblaggio del tappo di compressione

- A. Preparare il tappo di compressione conformemente alle istruzioni relative all'assemblaggio del tappo di compressione.

- B. Serrare il tappo di compressione alla coppia specificata dal produttore del tappo di compressione.
2. Assemblare nuovamente la forcella, i distanziatori, lo stelo e tutti i componenti della serie sterzo nel tubo dello sterzo (Fig 11).

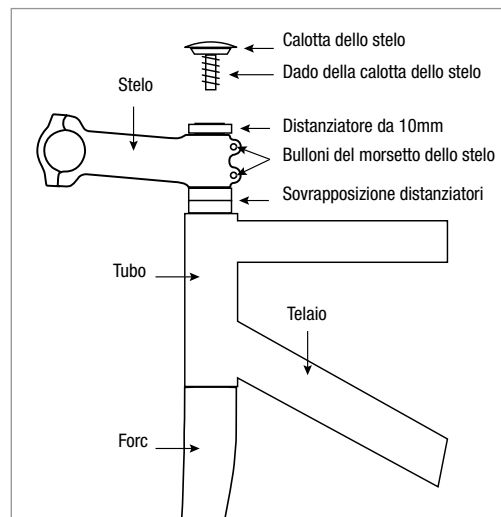


Figura 11

**NOTA:** In questa fase, non serrare completamente i bulloni del morsetto dello stelo né il bullone della calotta dello stelo.

- ▲ ATTENZIONE:** Per i cannotti delle forcelle di carbonio, non applicare il grasso o un composto del carbonio sull'interfaccia tra lo stelo e il cannotto della forcella.
3. Assemblare il manubrio, seguendo le istruzioni del produttore.
4. Posizionare la ruota sulla forcella e allinearla in modo da ottenere il gioco ottimale tra pneumatico, forcella e telaio. Serrare il perno passante a rilascio rapido o i mozzi sul bullone in base alle specifiche.
 

**▲ ATTENZIONE:** Tenere un gioco di almeno 6mm tra il pneumatico, la ruota e qualunque elemento della forcella, del telaio o di eventuali altri componenti. Un gioco non adeguato può comportare l'aggancio di componenti e il conseguente occorrere di incidenti con lesioni gravi.

**▲ ATTENZIONE:** Una regolazione non adeguata del perno passante a rilasciorapido per mettere in sicurezza la ruota può comportare lesioni gravi.
5. Allineare il manubrio perpendicolarmente alla ruota anteriore. Serrare il bullone della calotta dello stelo in base alle specifiche del produttore utilizzando una chiave dinamometrica e un giunto a testa esagonale. Nel caso in cui non sia stata fornita alcuna coppia specifica, serrare a 1,6 Nm (15 in-lb).
6. Serrare i bulloni del morsetto dello sterzo in base alle specifiche del produttore per completare l'assemblaggio della forcella.
 

**▲ ATTENZIONE:** Mai forzare uno stelo serrato per correggere una mancanza di allineamento tra lo stesso e la forcella. Prima allentare sempre i bulloni del cannotto stelo-forcella. Eseguire successivamente la regolazione e serrare nuovamente i bulloni in base alle specifiche.

**▲ ATTENZIONE:** Un assemblaggio non corretto del manubrio e dello stelo può comportare lesioni gravi.
7. Assemblare e regolare il freno anteriore seguendo le istruzioni del produttore dei freni.
 

**▲ ATTENZIONE:** Un assemblaggio e una regolazione non corretti dei freni possono comportare lesioni gravi.

## Ispezione ordinaria della forcella e manutenzione continua

**▲ ATTENZIONE:** Tutti i componenti della bicicletta hanno una vita utile definita. Normale usura, impatto, utilizzo improprio e trascuratezza nella manutenzione ordinaria possono comportare guasti inattesi e conseguenti lesioni gravi. Prima di ogni utilizzo, esaminare la propria bicicletta per verificare che non vi siano segni di usura, sollecitazione o danni dovuti a eventuali impatti. Qualora un componente non funzioni correttamente o nel caso in cui si rilevino graffi, rotture, piegature, logorii, o scolorimenti o ancora in caso di scricchiolii, far ispezionare immediatamente la bicicletta presso il rivenditore.

**▲ ATTENZIONE:** Oltre a tagliare il canotto della forcella alla lunghezza corretta, non apportare alcuna modifica alla forcella stessa.

Modificare la forcella potrebbe causare guasti ad altri componenti con conseguenti lesioni gravi.

### Come ispezionare un componente di carbonio:

I componenti di carbonio dovrebbero essere trasparenti o lucidi e dare una sensazione di "profondità". Le aree delaminate appariranno ombrose o opache.

Ispezionare visivamente tutta la bicicletta prima di ogni utilizzo. Prestare particolare attenzione ai componenti di carbonio come la forcella e il manubrio. Verificare che non vi siano incrinature, rotture, frammenti, schegge o segni di delaminazione.

Qualora se ne riscontrino, non utilizzare la bicicletta. Qualora non si sia certi della condizione di uno qualsiasi dei componenti della bicicletta, consultare il proprio rivenditore. Non utilizzare la bicicletta nel caso in cui vi sia un componente danneggiato.

**▲ ATTENZIONE:** Qualunque incrinatura, frammento, rottura, scheggia o delaminazione su un componente di carbonio indica una situazione grave. Non utilizzare la bicicletta nel caso in cui una qualunque di queste condizioni sia presente. Un componente incrinato o danneggiato potrebbe cadere in modo improvviso causando così un incidente ed eventuali lesioni gravi.

### Come rilevare la delaminazione del carbonio:

**ESEGUIRE UN'ISPEZIONE FISICA:** Passare un panno su tutto il componente di carbonio prestando attenzione a eventuali sporgenze, punti morbidi o deformati o aree che non risultano più lisce.

**ASCOLTARE CON ATTENZIONE LA PRESENZA DI EVENTUALI SCRICCHIOLII:** I componenti di carbonio danneggiati o deteriorati possono produrre degli scricchiolii con il movimento o la sollecitazione. Per individuare la fonte di un rumore, picchiettare delicatamente il componente di carbonio in tutte le sue parti con il manico in plastica di un cacciavite. Il picchiettamento dovrebbe dar luogo a suoni potenti, netti e coerenti.

Le posizioni che emettono un suono ovattato o soffocato dovrebbero essere contrassegnate e successivamente ispezionate da un meccanico professionista.

### Ispezioni aggiuntive

Ispezionare periodicamente i componenti della propria bicicletta così da verificare che tutti i bulloni sia serrati correttamente in base alle specifiche del produttore.

### Pulizia

Pulire con acqua e sapone. Asciugare con un panno.

Utilizzare la nuova forcella con una rastrelliera per biciclette in stile montaggio a forcella automobile

1. Verificare che il morsetto della rastrelliera per biciclette dia serrato fermamente onde evitare danni al dropout o la perdita della bici.

2. Per rimuovere la bicicletta, sollevare la forcella verso l'alto in modo da sganciare in modo uniforme i dropouts. Inclinare la bicicletta per sganciarla dalla rastrelliera potrebbe danneggiare i dropouts (Fig. 12).

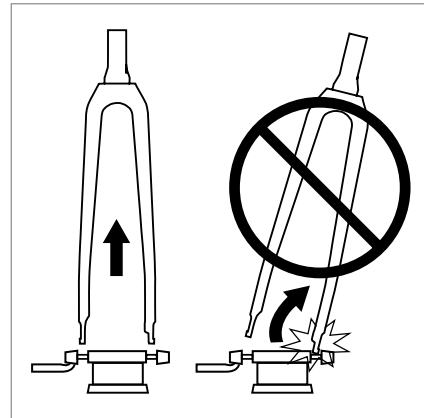


Figura 12

### Montaggio parafango

**▲ ATTENZIONE:** Questa forcella è compatibile solo ed esclusivamente con i parafanghi a rilascio rapido. Consultare il produttore del parafango per informazioni specifiche sulla compatibilità.

Vedere le istruzioni separate sul montaggio del parafango.

### Montaggio rastrelliera

Verificare che la forcella sia compatibile con la rastrelliera. Vedere Figura 13 per la posizione di montaggio della rastrelliera autorizzata sulla forcella. Seguire le istruzioni del produttore della rastrelliera per il montaggio. Assicurarsi di utilizzare tutto l'hardware fornito con la rastrelliera per il montaggio.

**▲ ATTENZIONE:** Non montare le rastrelliere su supporti forcella diversi da quelli indicati nella Figura 13. Un montaggio non corretto della rastrelliera può comportare incidenti e lesioni gravi.

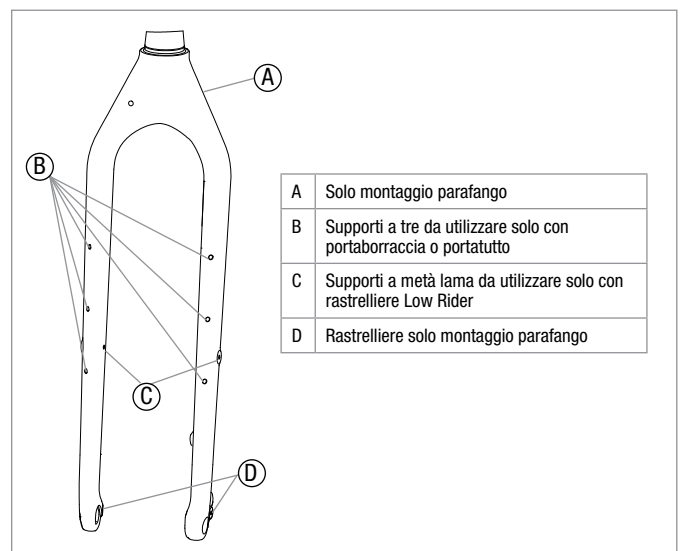


Figura 13



## Installazione accessori con supporti a 3

Le forcelle provviste di supporti a 3 possono essere utilizzate con accessori quali Anything Cage o portatutto (Fig. 14). Seguire le istruzioni di installazione e rispettare i limiti di peso forniti con qualunque accessorio. Per le istruzioni relative agli accessori andare su: [whiskyparts.com/safety](http://whiskyparts.com/safety).

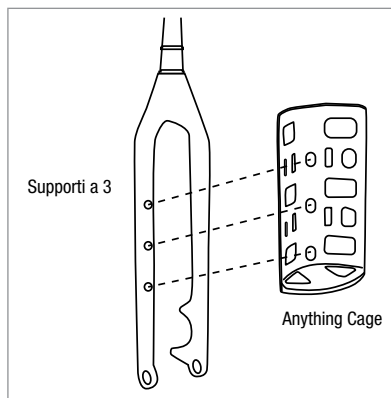


Figure 14

**▲ ATTENZIONE:** Non superare la capacità di carico di 3kg o 6.6 lb per i supporti a 3.

## Montaggio luci e instradamento cavi

Andare su [whiskyparts.com](http://whiskyparts.com) per verificare la compatibilità della forcella per il montaggio luci e dinamo. Quindi seguire le istruzioni del produttore per il montaggio.

Se possibile, instradare i cavi nel tubo interno onde evitare il contatto con la ruota. Utilizzare l'hardware incluso con la luce per montare l'unità alla forcella. Serrare alla coppia raccomandata dal produttore onde evitare che la luce si sposti o ruoti nella ruota.

**▲ ATTENZIONE:** Gioco da 6mm richiesto tra la ruota anteriore e qualunque accessorio montato sulla forcella.

## Whisky Parts Co. Limitazione di garanzia

Questo prodotto è garantito rispetto ai difetti nei materiali e nella lavorazione per 5 anni dalla data di acquisto al dettaglio del prodotto, con le limitazioni descritte di seguito. Conservare la ricevuta con la data come prova di acquisto.

La presente garanzia NON copre quanto segue:

- Danni causati dal montaggio non corretto o dalla manutenzione inappropriata oppure dalla mancanza di abilità, competenze o esperienza dell'utente o dell'assemblatore
- Prodotti che sono stati modificati, non sottoposti a regolare manutenzione, utilizzati in competizione o per scopi commerciali, utilizzati in maniera impropria o eccessiva, incidentati o utilizzati in maniera diversa dall'uso previsto
- Installazione di componenti, parti o accessori non previsti all'origine o incompatibili con il prodotto così come è stato venduto
- Danni o deterioramento della vernice, della finitura di superficie, dell'estetica o dell'aspetto del prodotto
- Normale usura
- Manodopera richiesta per la rimozione e/o la reinstallazione e la regolazione del prodotto all'interno dell'assemblaggio della bicicletta

La presente garanzia è espressamente limitata alla riparazione o alla sostituzione del prodotto originale, a giudizio di Whisky, e costituisce l'esclusivo rimedio previsto dalla garanzia. Questa garanzia limitata è valida solo per l'acquirente originale del prodotto Whisky e non è trasferibile. Questa garanzia si applica solo ai prodotti acquistati attraverso un rivenditore o un distributore autorizzato. In nessun caso Whisky sarà responsabile per eventuali perdite, inconvenienti o danni, sia diretti, accidentali, consequenziali che altrimenti risultanti dalla violazione di qualsiasi garanzia o condizione espressa o implicita di commerciabilità, idoneità per un scopo particolare, o altro rispetto ai prodotti Whisky, ad eccezione di quanto qui indicato.

Questa garanzia fornisce al consumatore diritti legali specifici, e tali diritti, come anche altri diritti, potrebbero variare da luogo a luogo. Questa garanzia non ha effetto sui diritti legali dell'utente.

NELLA MISURA NON VIETATA DALLA LEGGE, QUESTE GARANZIE SONO ESCLUSIVE E NON ESISTONO ALTRE GARANZIE O CONDIZIONI ESPRESSE O IMPLICITE, COMPRESSE LE GARANZIE O LE CONDIZIONI DI COMMERCIALITÀ E IDONEITÀ PER UNO SCOPO PARTICOLARE.

Registrazione della garanzia: è necessaria la prova di acquisto per la richiesta di intervento in garanzia. Whisky, pertanto, esorta vivamente ad effettuare la registrazione della garanzia su [whiskyparts.com](http://whiskyparts.com). La mancata registrazione non influirà sui diritti del consumatore previsti in base alla garanzia limitata sopra descritta, a condizione che il consumatore sia in grado di dimostrare in maniera ragionevole di essere il proprietario originale e la data di acquisto del prodotto Whisky. In caso di domande, contattare [warranty@whiskyparts.com](mailto:warranty@whiskyparts.com)

La richiesta di intervento in garanzia può essere avanzata in qualunque luogo sia stato acquistato il prodotto Whisky. In caso di dubbi, contattare il negozio locale. Fornire i dettagli sull'accaduto, inclusi, a titolo di esempio, gli altri componenti utilizzati in combinazione con la parte Whisky presumibilmente difettosa.

NOTA: Il termine della Garanzia non costituisce garanzia della durata utile del prodotto. La durata del prodotto è influenzata dalla modalità in base alla quale il prodotto viene utilizzato, conservato e sottoposto a manutenzione nel corso del tempo. La Garanzia non intende suggerire che il prodotto non si possa rompere o che duri per sempre. Significa soltanto che il prodotto è coperto da garanzia secondo i termini della garanzia stessa.

## カーボン & メタルフォーク取付説明書

Whisky Parts Co. をお選びいただき誠にありがとうございます。Whiskyは、いかなるシーンでも最高のパフォーマンスを発揮する自転車部品やアクセサリを設計しております、そのためお客様には自信を持ってお乗りいただくことができます。お乗りになる前に、製品をご登録いただきますようお願い申し上げます。

**▲警告:** サイクリングには危険が伴います。自転車製品の取り付けおよび手入れはプロの整備工が行ってください。自転車またはアクセサリは決して改造しないでください。メーカーのウェブサイトの情報を含め、製品取扱説明書および警告をすべて読み従ってください。毎回使用前に自転車を点検します。必ずヘルメットを着用してください。

### 互換性および使用目的

製品および安全情報の詳細は、ウェブサイト: [whiskyparts.com/safety](http://whiskyparts.com/safety) をご覧ください

カテゴリ説明	モデル互換性
<p>舗装路で自転車を操作する場合のカテゴリで、タイヤと地面の接触を維持することを目的としています。</p>	No.5 CX No.7 RD
<p>この自転車操作カテゴリには、カテゴリ 1 に加え未舗装路および砂利道および中グレードのオフロードが含まれます。このカテゴリでは、凸凹した地形に接触したりタイヤと地面の接触が離れる場合があります。ドロップは 15 cm (6 インチ) 未満を限度として想定しています。</p>	No.7 CX No.7 RD+ No.9 CX No.9 RD No.9 RD+
<p>この自転車操作カテゴリには、カテゴリ 1 および カテゴリ 2 が含まれ、さらには起伏の多いオフロード、起伏の多い未舗装路、および技術スキルが必要な起伏の多い地形や荒れたオフロードが含まれます。ジャンプおよびドロップは 61 cm (24 インチ) 未満を想定しています。</p>	No.7 MTN No.9 MTN No.9 MTN LT No.9 FAT No.9 MCX
<p>この自転車操作カテゴリには、カテゴリ 1、2、および 3、または時速 40 km (25 mph) 未満の起伏の多いオフロードのダウンヒルグレード、または両方が含まれます。ジャンプおよびドロップは 122 cm (48 インチ) 未満を想定しています。</p>	
<p>この自転車操作カテゴリには、カテゴリ 1、2、3、4、エクストリームジャンプ、または時速 40 km (25 mph) 以上の起伏の多いオフロードのダウンヒルグレード、またはそれらの組み合わせが含まれます。</p>	

### 必要なツールと素材

- クラウンレース取付ツール
- ボールピンハンマー
- 保護グローブ
- 合金/スチール製ステアラーの場合には細かい 32 tpi 炭化タンガスステンチール刃の弓のこ、またはカーボン製ステアラーの場合はカーボン鋸刃
- ステアチューブ切削ガイド
- 4、5、6 mm 六角ビットソケット
- ニュートンメートル (Nm) 式トルクレンチ
- 金属やすり
- 切削液
- グリース
- 細字フェルトペン
- 消毒用アルコール
- 保護メガネ
- スターナット取付ツール
- 目の細かいサンドペーパー

### フォーク取付概要

新しいフォークは 3 ステップの工程で取り付けます:

ステップ 1) ヘッドセットコンポーネントの互換性を確認し、ステアチューブを切る長さを測定し印を付けられるようフォークをヘッドセットへと組み立てます。

ステップ 2) フォークをヘッドセットから取り外し、ステアチューブを切って長さを揃えます。ステップ 3) ヘッドセットとフォークを再度組み立て、ハンドルバーを追加し、位置合わせして締めます。

**▲警告:** これらの指示に従わないと早期故障が起こり、重傷に繋がる損壊が生じる恐れがあります。

### ステップ 1 確認、組み立て、印を付ける

- コンポーネントの互換性を再確認:** フォーク、ヘッドセット、ヘッドセットスペーサー、ステムステアークランプ、およびすべてのその他の必要部品が組み立てに適合しているかを点検し、それぞれ準拠した寸法であることを確認します。寸法が不適切であるとコンポーネントが故障する恐れがあります。カーボンステアラーは、リアスロット式クランプシステムにのみ装着可能です。  
**▲警告:** カーボンステアラーにはリアスロット式クランプシステムのみを使用してください。ウエッジクランプシステムは故障の原因となりますので使用しないでください (図 1)。

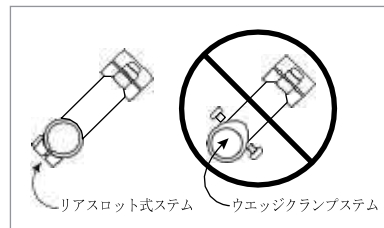


図 1

- バリや鋭利な縁を除去:** 保護グローブを着用して、ステムとヘッドセット部にステアチューブに触れるバリや鋭利な縁がないか点検します。目の細かいサンドペーパーを使って、カーボンコンポーネントからバリまたは鋭利な縁を除去します。メタルコンポーネントには金属やすりを使用します。
- クラウンレースを取り付ける:** フォークを片手で支えながらクラウンレース設置ツールとハンマー/マレットを使って、メーカーの説明書通りにクラウンレースをステアチューブに取り付けます。  
**▲警告:** ドロップアウト端を地面につけてフォークを立てないでください。またはクラウンレース取り付け中にクラウン部分でフォークを支えないでください。フォークが損傷する恐れがあります (図 2)。

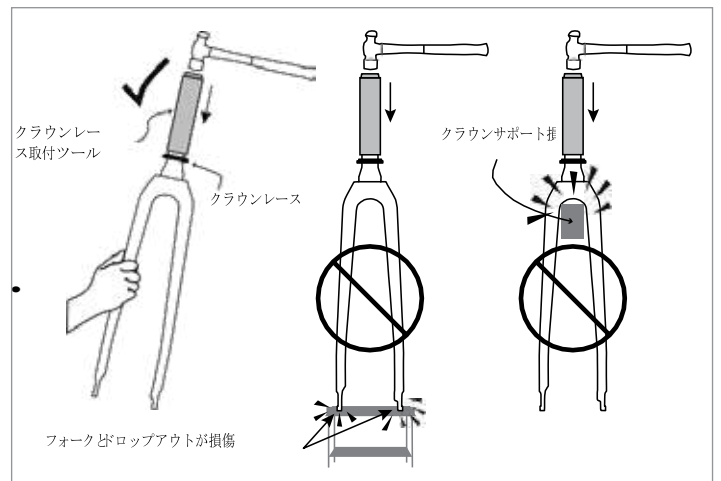


図 2

カーボン & メタルフォーク取付説明書

- ヘッドセットメーカーの説明書通りに、ヘッドセットカップをヘッドチューブに取り付けます。
- ヘッドセットの底部アセンブリをメーカーの説明書通りに取り付け、フォークをヘッドチューブへと差し込みます。メーカーの説明書通りに上部ヘッドセットを取り付けます (図 3)。

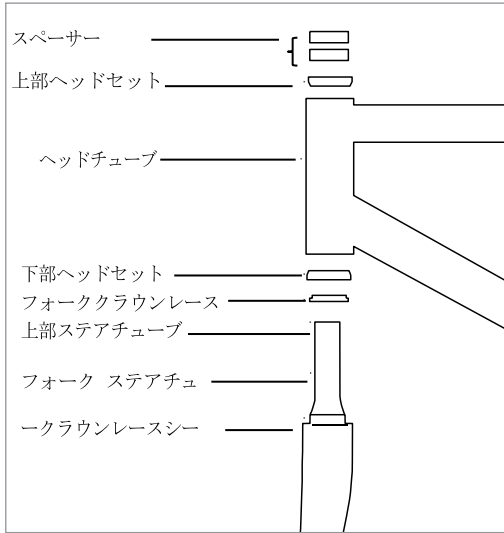


図 3

- ステアチューブにスペーサーを 1 つ以上追加し、スペーサースタックが 50 mm を超えないようにします (図 4)。
- ステムをステアラーに取り付け、スペーサーと同一平面上にあるようにします。ステアチューブが 8 mm 以上伸びるようにします (図 5)。  
**注:** ステアチューブがステムクランプを超えて 8 mm 以上伸びない場合は、取り付けを中断します。

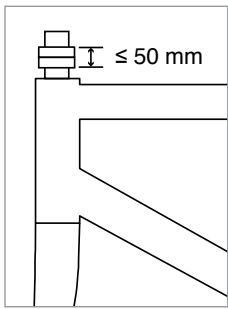


図 4

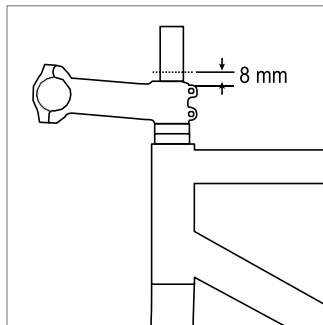


図 5

- 10 mm スペーサーをステムクランプの上に追加して、追加のステアチューブがある場合は、細字フェルトペンを使ってスペーサー上端に沿ってステアチューブに印を付けます (図 6)。

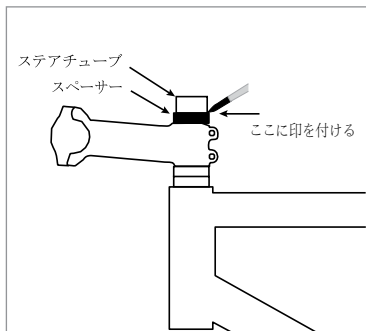


図 6

- フォークをヘッドチューブから取り外し、スペーサーとヘッドセットコンポーネントを脇に取っておきます。
- ステップ 8 の印の場所を確認します。そこから測定して 3 mm 下に切削用の新しい印を付けます (図 7)。最初の印を消します。

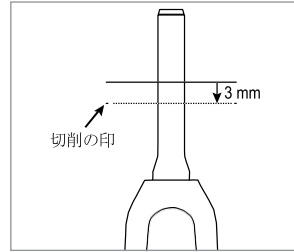


図 7

- ステアチューブを短く切りすぎないように測定を再確認します。フォークを再購入するより 2 回測定の方が簡単です。  
**注:** 切った後にトップキャップを取付けられるよう、ステアチューブは 10 mm スペーサーから 3 mm 下でなければなりません (図 8)。カーボンを切るか、合金/スチールを切るかで指示が異なりますので、以下を参照してください。

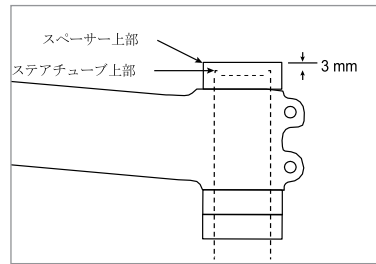


図 8

ステップ 2 ステアチューブを切る

カーボン製ステアラーの切削方法

- 保護グローブと保護メガネを着用します。
- 新しいカーボン用の弓のこ刃と切削ガイドを使用して、ステアチューブを切ります。
- 目の細かいサンドペーパーを使って、バリまたは鋭利な縁を除去します。
- 消毒用アルコールでステアチューブとステムクランプ内部を拭き、グリースや汚れを取り除きます。

金属製ステアラーの切削方法

- 保護グローブと保護メガネを着用します。
- 細かい弓のこ刃、バイス、切削液、および適切な切削ガイドを使用して、ステアチューブを切ります。パイプカッターをルミ製ステアチューブの場合には使用可能です。
- 金属やすりを使ってバリまたは鋭利な縁を除去します。
- 消毒用アルコールでステアチューブとステムクランプ内部を拭き、グリースや汚れを取り除きます。

カーボン & メタルフォーク取付説明書

ステップ 3 最終組み立て

1. 圧縮プラグを取り付けるかスターナットを取り付けるかで指示が異なりますので、以下を参照してください。

**▲警告:** カーボン製のステアチューブフォークには決してスターナットを使わないでください (図 9)。カーボン製ステアラー向けに設計された圧縮機を使用してください。

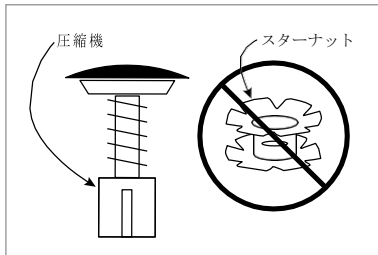


図 9

スターナットの取り付け

A. 片手でフォークを支えながら (図 2)、スターナット取付ツールとハンマーを使って新しいスターナットを取り付けます (図 10)。

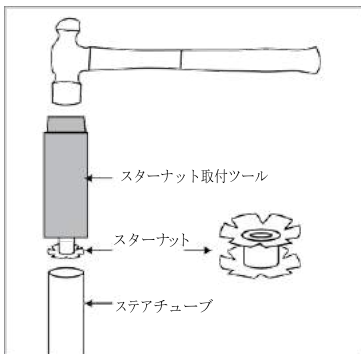


図 10

B. ステアチューブを消毒用アルコールできれいに拭きます。

圧縮プラグの取り付け

- A. 圧縮プラグ取付説明書の通りに圧縮プラグを準備します。
- B. 圧縮プラグをメーカーの指定のトルク値へと締めます。

2. フォーク、スペーサー、ステム、すべてのヘッドセットコンポーネントをヘッドチューブへと再度取り付けます (図 11)。

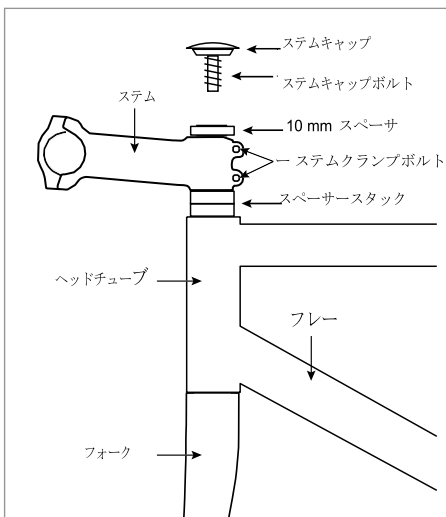


図 11

**注:** この時点では、ステムクランプボルトまたはステムキャップボルトを完全にきつく締めないでください。

**▲警告:** カーボン製ステアチューブの場合、ステムとステアチューブの間のインターフェイスにグリースまたはカーボンアセンブリコンパウンドを塗布しないでください。

3. ハンドルバーを、メーカーの説明書に従い取り付けます。

4. ホイールをフォークに取り付け、タイヤ、フォーク、フレームの間に適切な間隔ができるよう位置合わせします。クイックリリーススルーアクセルまたはボルトオンハブを仕様通りに締めます。

**▲警告:** 少なくとも 6 mm の間隔をタイヤ、ホイール、およびフォーク、フレームまたはその他のコンポーネントのあらゆる部材の間で維持してください。間隔が不適切であると異物が混入して損壊の原因となり、重傷を負う恐れがあります。

**▲警告:** クイックリリースまたはスルーアクセルの調節が不適切であると、ホイールが固定され重傷を負う恐れがあります。

5. ハンドルバーをフロントホイールに対して垂直に位置合わせします。トルクレンチと六角ビットソケットを使って、ステムキャップボルトをメーカーの仕様通りに締めます。トルク値が指定されていない場合は、1.6Nm (15 in-lb) に締めます。

6. ステムクランプボルトをメーカーの仕様通りに締めたら、フォークの取り付けは完了です。

**▲警告:** 締め付けたステムのフォークに対する位置ずれは、決して無理に正しないでください。必ずステムからステアラーへのチューブボルトを先に緩めてください。その後調節してから仕様通りにボルトを再度締めます。

**▲警告:** ハンドルバーとステムの取り付けが不適切であると、重傷を負う恐れがあります。

6. フロントブレーキをメーカーの説明書に従い取り付け調節します。

**▲警告:** ブレーキの取り付けと調節が不適切であると、重傷を負う恐れがあります。

フォークの日常点検および継続的メンテナンス

**▲警告:** すべての自転車部品には寿命があります。通常の摩耗、損傷、衝撃、無謀な使用、日常メンテナンス怠慢により予期せぬ不具合が起り、重傷を負う恐れがあります。毎回乗車前に、自転車に摩耗、応力疲労、衝突関連の損傷がないか点検してください。コンポーネントが適切に動作しない、または傷、ひび、曲がり、ほつれ、変色が見られる、またはきしむような音がする場合は、すぐに販売店で自転車を点検してもらいます。

**▲警告:** ステアチューブを適した長さに切る以外、フォークには一切改造を加えないでください。

フォークを改造すると、フォークまたはその他のコンポーネントが故障し重傷を負う恐れがあります。

カーボンコンポーネントの点検法

カーボンコンポーネントには光沢または輝きがみられ、「深み」が感じられるはずですが、層間剥離したエリアはくもったように、または半透明に見えます。

毎回乗車前に自転車全体を目視点検します。特に、フォークやハンドルバーといったカーボンコンポーネントに注意を払います。ひび、破損、欠け、裂け、または層間剥離がないか点検します。不具合が見つかった場合は、乗車しないでください。自転車のコンポーネントの状態がよく分からない場合は、販売店にご相談ください。コンポーネントが損傷した自転車に乗らないでください。

**▲警告:** カーボンコンポーネントのひび、欠け、破損、裂け、または層間剥離は深刻な状態です。これらの状態がみられる自転車には乗らないでください。ひびや損傷があるカーボンコンポーネントは突然故障し、損壊や重傷に繋がる恐れがあります。

カーボン & メタルフォーク取付説明書

カーボン層間剥離を見つける方法:

物理的な点検を行う: 布でカーボンコンポーネントを拭き、隆起している、柔らかい、変形している、スムーズでなくなっている箇所や範囲がないか調べます。

異常なきしみ音がないか聞く: 損傷または劣化したカーボンコンポーネントが動くまたは応力を受けるときむような音がします。この音源を探し出し、カーボンコンポーネントに沿ってプラスチックのスクレイドライバーハンドルで軽く叩きます。叩くと、硬く鋭い一貫した音がするはずでず。

鈍いまたはくもった音がする場所に印をつけ、プロの自転車整備工に点検してもらいます。

補助点検

自転車のコンポーネントを定期的に点検し、すべてのボルトがメーカー仕様に従う適切なトルク値であるか確認します。

洗浄

石けんと水で洗浄します。布で拭き乾かします。

新しいフォークを自動車フォークマウント式バイシクルラックに設置する

1. バイシクルラックランプがしっかりと閉じているか確認して、ドロップアウトの損傷または自転車の紛失を避けます。
2. 自転車を取り外すには、フォークを真つすぐ持ち上げて均等にドロップアウトの係合を外します。ラックから自転車が傾いていると、ドロップアウトが損傷する恐れがあります (図 12)。

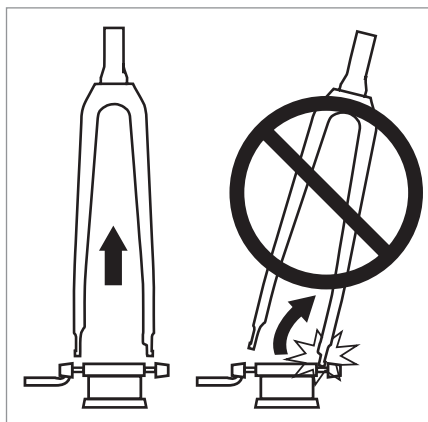


図 12

フェンダーを取り付ける

▲警告: このフォークと互換性があるのはクイックリリースフェンダーのみです。特定の互換性についてはフェンダーメーカーにお問い合わせください。個別のフェンダー取付説明書をご覧ください。

ラックを取り付ける

フォークとラックの互換性を確認します。フォーク上で認められるラックマウント位置については、図 13 をご覧ください。ラックメーカーの取付説明書に従います。ラックに同梱されたすべてのハードウェアを必ず使用して取り付けます。

▲警告: 図 13 で示したフォークマウント以外にラックを取り付けしないでください。ラックの取り付けが不適切であると衝突の原因となり、重傷を負う恐れがあります。

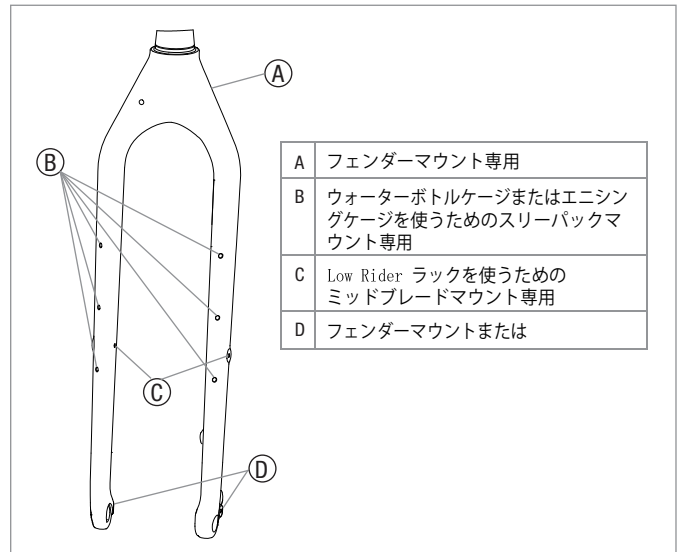


図 13

アクセサリをスリーパックマウントで取り付ける

エニシングケージまたはウォーターボトルケージなどのアクセサリは、スリーパックマウントを備えるフォークを使用して取り付けられます (図 14)。アクセサリに同梱の取付説明書および重量制限に従います。アクセサリの説明書を見るには、whiskyparts.com/safety にアクセスしてください。

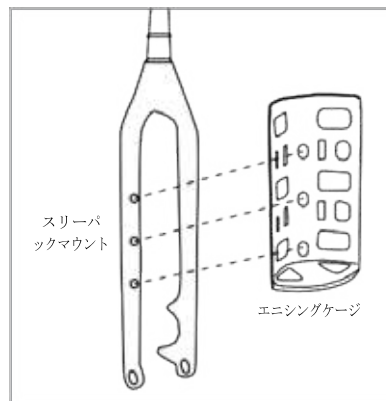


図 14

▲警告: スリーパックマウントには 3 kg または 6.6 ポンドを超えて積荷しないでください。

ライトマウントおよびケーブル経路

お手持ちのフォークがライトマウントおよびダイナモマウントに準拠しているか確認するには、whiskyparts.com にアクセスしてください。確認後、メーカーの取付説明書に従い適切に取り付けます。

可能であれば、ケーブルはホイールへの接触を回避するため内部チューブを通してください。ライトに同梱されているハードウェアを使用して装置をフォークに取り付けます。メーカーのトルク仕様に従って締結し、ライトが移動したりホイール側に回転するのを防ぎます。

▲警告: フロントホイールとフォークに取り付けたアクセサリの間には、6 mm の間隔が必要です。

## Whisky Parts Co. の共通保証言語

### 有限保証

この製品は材料の不良および製品に対して、以下に詳述された制限を条件として、製品の小売販売での購入から5年間保証されています。ご購入の証拠として、日付入りのレシートを保管してください。

この保証には以下は含まれません:

- 使用者または組み立てた者による不適切な組み立て、または追跡保全、または技能、能力または経験不足、による損傷
- 製品の改造、怠惰、競技や商業目的での使用、誤使用または悪用、事故に巻き込まれたり常用外の使用法によるもの
- 製品の販売に当たり意図されていない、または互換性のない構成部分、部品またはアクセサリーの取り付け
- 製品の塗装、表面仕上げ、美観または外観に対する損傷または悪化
- 通常の消耗
- 自転車組み立て中の製品の除去、および/または再装備および再調整のために要された労働者

この有限保証は Whisky のオプションで、また保証の単独の解決法としての、元の製品の修理または交換に限定されることを強調します。この有限保証は Whisky 製品の元々の購入者にのみ適用され、移転はできません。この保証は公認販売店または流通業者を通して購入された製品にのみ適用されます。Whisky 製品に関して以後制定する事項を除き、直接的、事故によるもの、必然的、またはその他の結果とした、または保証または条件の表現または示唆の不履行によるもの、または特定目的またはその他により、商品性、適合性が被る損失、不都合または損傷について Whisky は責任を取りません。

この保証は一定の法的権利を消費者に与え、それらの権利およびその他の権利は場面により変更することがあります。この保証はあなたの法定の権利に影響を与えません。

法律により禁じられていない範囲内で、これらの保証は独占的であり、特定目的のための保証または条件のための商品性、適合性の保証または条件を含むその他の明言または示唆はありません。

保証登録: 保証請求が処理される前に購入の証拠が必要です。Whisky はよって [whiskyparts.com](http://whiskyparts.com) で強く保証登録を推奨します。消費者は妥当な方法で元々の所有権および Whisky 製品の購入日を証明できれば、登録を怠っても上記に明記された有限保証の下、消費者権利に影響しません。ご質問がございましたら、[contactwarranty@whiskyparts.com](mailto:contactwarranty@whiskyparts.com) にお問合せください。

請求の提出は Whisky 販売されているところならどこでも行えます。不明な場合は、お近くのお店にお問合せください。不良品といわれる Whisky 部品と連結して使用される他の構成部分についてはそれが限らず、詳細をお知らせください。

注記: 保証期間は製品の使用寿命の保証ではありません。製品寿命は製品が経年的にどのように使用、保管および維持されるかに影響されます。自転車の保証は壊れることが無いであるとか長く乗ることが出来るといったことを意味する物ではありません。自転車が単に保証の項目条項で保護されているというだけの話です。